

GLOBAL SERVICE

Norbar is the only torque equipment manufacturer capable of offering tool and instrument calibration services to the original factory standard on four continents.

Accredited laboratories in Australia, USA, Singapore, China and India operate the same equipment and procedures as the UKAS accredited laboratory within our headquarters in the UK.



NORBAR TORQUE TOOLS LTD
Wildmere Road, Banbury, Oxfordshire, OX16 3JU
UNITED KINGDOM
Tel + 44 (0)1295 753600
Email sales@norbar.com



NORBAR TORQUE TOOLS
45-47 Raglan Avenue, Edwardstown
SA 5039
AUSTRALIA
Tel + 61 (0)8 8292 9777
Email enquiry@norbar.com.au



NORBAR TORQUE TOOLS INC
36400 Biltmore Place, Willoughby
Ohio 44094
USA
Tel + 1 866 667 2272
Email inquiry@norbar.us



NORBAR TORQUE TOOLS PTE LTD
194 Pandan Loop, #07-20 Pantech Business Hub
SINGAPORE 128383
Tel + 65 6841 1371
Email enquires@norbar.sg



NORBAR TORQUE TOOLS (SHANGHAI) LTD
91 Building- 7F, No. 1122 North Qinzhou Road,
Xuhui District, Shanghai
CHINA 201103
Tel + 86 21 6145 0368
Email sales@norbar.com.cn



NORBAR TORQUE TOOLS INDIA PVT. LTD
Plot No A – 168 Khairne Industrial Area
Thane Belapur Road
Mahape Navi Mumbai – 400 709
INDIA
Tel + 91 22 2778 8480
Email enquiry@norbar.in

www.norbar.com



NORBAR PRODUCT PORTFOLIO



Torque Screwdrivers



Torque Wrenches



Electronic Torque Wrenches



Manual Torque Multipliers



Pneumatic Torque Tools



Electronic Torque Tools



Battery Torque Tools



Torque Measurement Instruments



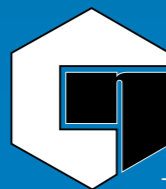
Torque Transducers



Ultrasonic Bolt Measurement



Calibration Services



Let's Talk

The live chat feature can be found at the bottom right of any page on our website

Distributed by

DRILCO

Avenida de Somosierra, 22E - 6 y 7
E-28703 S.S. de los Reyes (Madrid)
Tel. +34 916 591 900 · www.drilco.net

NIF: B87692745

NEW

TRUCHECK™ 2

SIMPLE, COST-EFFECTIVE TORQUE WRENCH CHECKING



THIS COST-EFFECTIVE TORQUE WRENCH CHECKER HAS BEEN REDESIGNED TO INCORPORATE IMPROVED FEATURES WHILST MAINTAINING EASE OF USE. THE TRUCHECK™ 2 AIMS TO CUT THE COST OF PURCHASING A TORQUE WRENCH CHECKING SYSTEM AND REMOVE THE FEARS OVER THE COMPLEXITY OF USING SUCH EQUIPMENT.



KEY FEATURES

- Allows torque wrench performance to be monitored and tools to be kept in peak condition
- Two versions, TruCheck™ 2 and TruCheck™ 2 Plus available
- 'Basic' version has limited settable options. Ideal for non-expert users with click type torque wrenches
- TruCheck™ 2 Plus allows a selection of torque units, three modes of operation (Click, Dial and Track), the ability to store up to 15 targets and select from 12 languages
- Plus version allows operator to set a target value and tolerance
- ±1% torque reading accuracy (±2% when below 10% of range for the 1,100 N-m TruCheck™ 2 model)
- Inbuilt Micro USB 2.0 port enables power from any USB power source. Plus version allows for both power and data transfer simultaneously
- Supplied with traceable calibration certificate

LCD display with clear target indication from colour changing display (Plus version only). Visible in poorly lit work areas.



Above target tolerance



Within target tolerance



Below target tolerance



Requires two Hexagon Socket Head Cap Screws ISO 4762 - M10 - 12.9 to fix in position (not included)

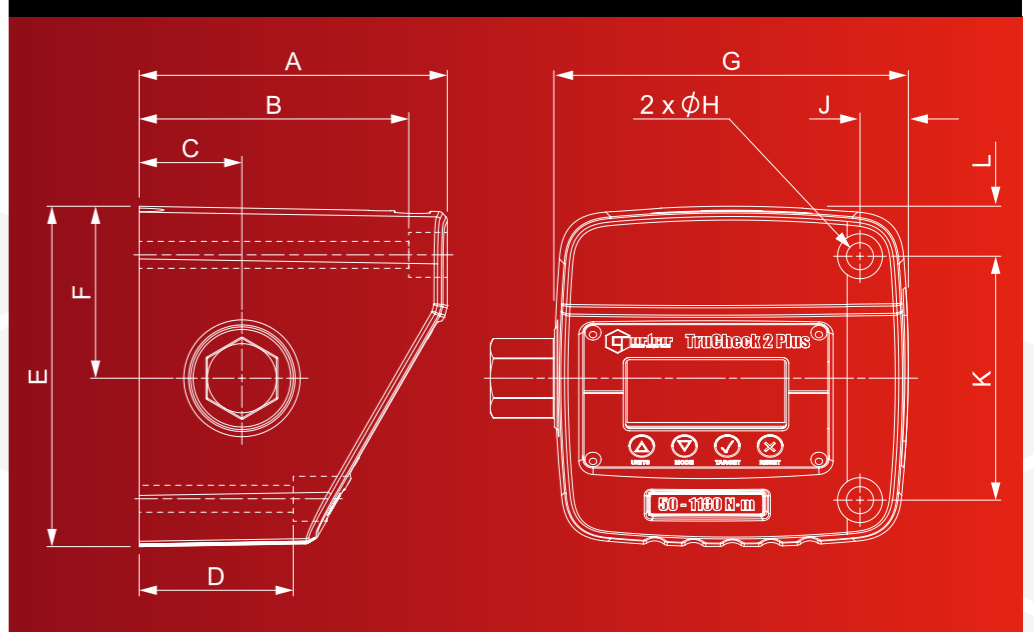


350 N-m models (43524 and 43525) supplied with 1/2" female square drive



1,100 N-m models (43530 and 43531) supplied with 27 mm male hexagon plus 3/4" square drive socket

TECHNICAL SPECIFICATION - TRUCHECK™ 2



| MODEL | TruCheck™ 2 350 | TruCheck™ 2 350 Plus | TruCheck™ 2 1,100 | TruCheck™ 2 1,100 Plus |
|-----------------|-----------------|----------------------|-------------------|------------------------|
| Part Number | 43524 | 43525 | 43530 | 43531 |
| Range (N-m) | 10 - 350 | 10 - 350 | 50 - 1,100 | 50 - 1,100 |
| Weight (kg) | 2.6 | 2.6 | 3.5 | 3.5 |
| Dimensions (mm) | A | 110 | 110 | 120 |
| | B | 95 | 95 | 105 |
| | C | 40 | 40 | 40 |
| | D | 50 | 50 | 60 |
| | E | 117 | 117 | 133 |
| | F | 59 | 59 | 67 |
| | G | 138 | 138 | 138 |
| | ØH | 10.5 | 10.5 | 10.5 |
| | J | 19 | 19 | 19 |
| | K | 80 | 80 | 95 |
| | L | 19 | 19 | 20 |

