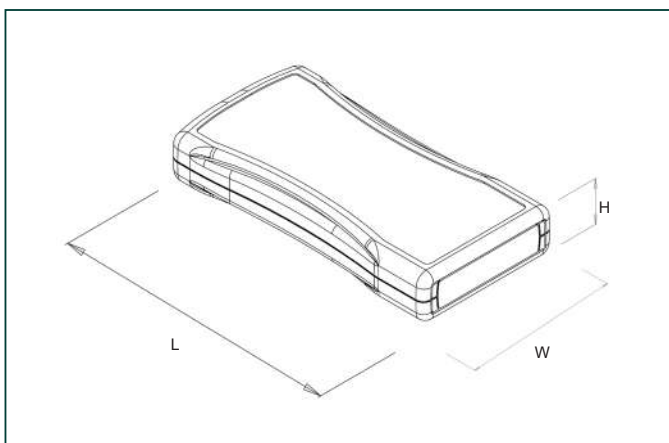


45 series rubber boot enclosures

Product overview

Ergonomically designed range of handheld enclosures, with battery compartment and rubber boot options.

- Moulded in UL94-5VA flame retardant ABS
- Lid retained by four self-tapping screws
- Removable end panel for ease of access and ideal for machining
- ABS end panel version as standard
- Sliding lid battery compartment options for AA or 9V PP3 batteries (contacts/strap included)
- Textured lid versions for consistent all over surface finish
- Smooth recess lid version for membrane keypads or overlays
- PCB pillars moulded in lid and base, screws available to order
- Recess in base for product labels
- 45 series has been designed to meet the requirements of IP54



SPECIFICATION	
Materials	Base, lid and end-panel in UL94-5VA ABS
Operating temperature	Resistant to temperatures of up to 80°C
Protection class	45 series has been designed to meet the requirements of IP54
Standard colours	Black as standard Ivory on request
Standard unit includes	Lid, base, end-panel and battery-lid 4x self-tapping screws Battery contacts/strap (+foam pad with 9V)
Options	Rubber boot (various colours)



AA battery compartment

TEXTURED LID	RECESSED LID	SIZE	LENGTH	WIDTH	HEIGHT
CHH451ABK	CHH456ABK	1	117.5mm	72.5mm	25.5mm
CHH452ABK	CHH457ABK	2	139.5mm	82.5mm	26mm
CHH453ABK	CHH458ABK	3	165mm	82.5mm	26mm



9V PP3 battery compartment

TEXTURED LID	RECESSED LID	SIZE	LENGTH	WIDTH	HEIGHT
CHH451PBK	CHH456PBK	1	117.5mm	72.5mm	25.5mm
CHH452PBK	CHH457PBK	2	139.5mm	82.5mm	26mm
CHH453PBK	CHH458PBK	3	165mm	82.5mm	26mm



No battery compartment

TEXTURED LID	RECESSED LID	SIZE	LENGTH	WIDTH	HEIGHT
CHH451NBK	CHH456NBK	1	117.5mm	72.5mm	25.5mm
CHH452NBK	CHH457NBK	2	139.5mm	82.5mm	26mm
CHH453NBK	CHH458NBK	3	165mm	82.5mm	26mm

ACCESSORIES

Silicone rubber boot

- Flexible open faced removable silicone rubber boot
- Fits tightly over base, sides and around edges of lid
- Belt strap incorporated into back, covers battery compartment
- Suitable for any battery compartment, with textured or recessed lid
- Available in all three sizes, in blue, red and black



BLACK	RED	BLUE	SIZE
CHH451BBK	CHH451BRD	CHH451BBL	1
CHH452BBK	CHH452BRD	CHH452BBL	2
CHH453BBK	CHH453BRD	CHH453BBL	3

292
UNIVERSAL
ENCLOSURES

318
HEAVY DUTY
AND ELECTRICAL
ENCLOSURES

342
DESKTOP AND
INSTRUMENT
CASES

348
DEVELOPMENT
BOARD
ENCLOSURES

367
ROOM SENSOR
ENCLOSURES

370
CUSTOM SIZED
ENCLOSURES

PLASTIC ENCLOSURES

BELTRONICA

+44 (0)1638 716101 | sales@camdenboss.com | www.camdenboss.com

We operate a constant improvement policy, our products are subject to change without notice.

Vers 1



FM 28614

62 Series Plastic Keyfob Enclosure

Product overview

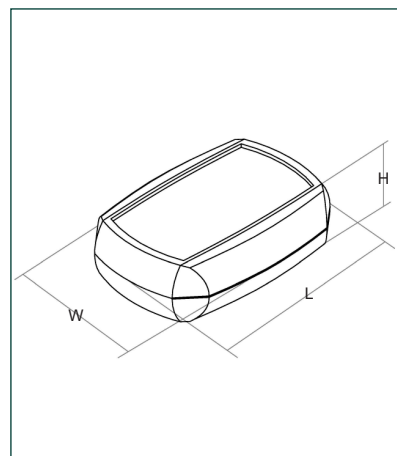
Contemporary range of small robust handheld boxes with ergonomic rounded edges.

- Moulded in high impact ABS
- Snap-fit assembly
- Recesses in lid and base for membrane keypads or overlays
- Excellent properties for machining
- Keyring lug style available
- 62 series has been designed to meet the requirements of IP54 or additionally, IP65 with the optional gasket accessory



SPECIFICATION	
Material	Base and lid high impact ABS UL94-V0
Operating temperature	Resistant to temperatures of up to 80°C
Protection class	62 series has been designed to meet the requirements of IP54 or additionally, IP65 with the optional gasket accessory
Standard colours	Light grey similar to RAL 7035 Black similar to RAL 9004
Standard unit includes	Base and lid
Options	IP65 gasket

BLACK	LIGHT GREY	LENGTH	WIDTH	HEIGHT	STYLE
CHH621BLK	CHH621GRY	55mm	40mm	18mm	-
CHH622BLK	CHH622GRY	60mm	40mm	18mm	Keyring lug
CHH623BLK	CHH623GRY	70mm	50mm	20mm	-



KEY FEATURES

High impact ABS | Snap-fit assembly | Keyring lug style available



ACCESSORIES

62 series IP65 gasket

- IP65 protection



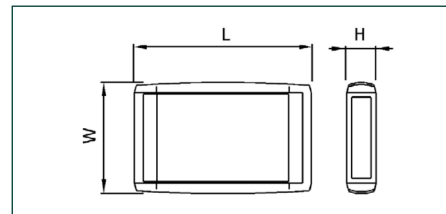
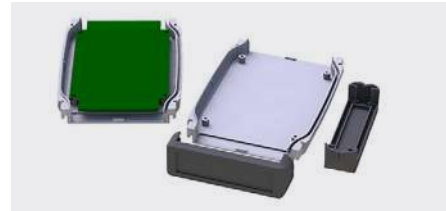
PART NO.	DESCRIPTION
CHH62GASK	62 series IP65 gasket

64 Series End Cap ABS Handheld Enclosure

Product overview

Multi-purpose snap-fit handheld enclosures designed for quick assembly.

- Moulded in high grade ABS, UL94-V0
- Lid and base snap-fit assembled via end caps
- Optional battery compartment lid M3 retaining screw
- Recesses in lid, base and end caps for membrane keypads or overlays
- PCB pillars in lid and base
- 64 series has been designed to meet the requirements of IP54 or additionally, IP65 with the optional gasket accessory



SPECIFICATION	
Material	Base and lid high grade ABS, UL94-V0
Operating temperature	Resistant to temperatures of up to 80°C
Protection class	64 series has been designed to meet the requirements of IP54 or additionally, IP65 with the optional gasket accessory
64 series standard colours	Top and base in grey RAL7035 and black RAL 9004 End caps-red, blue, yellow, green, orange, grey or black Custom colours available to order
Standard unit includes	Top and base (battery door and retaining screw style 2 and 4)
Options	End caps, battery compartments and IP65 gaskets supplied separately

BLACK	LIGHT GREY	LENGTH	WIDTH	HEIGHT	STYLE
CHH641NBK	CHH641NGY	100mm	80mm	20mm	-
CHH642BBK	CHH642BGY	100mm	80mm	30mm	Battery door
CHH643NBK	CHH643NGY	120mm	80mm	20mm	-
CHH644BBK	CHH644BGY	120mm	80mm	30mm	Battery door

KEY FEATURES

High grade ABS, UL94-V0 | Battery compartment | PCB pillars



ACCESSORIES

64 series IP65 gasket



PART NO.	DESCRIPTION
CHH64GASK	64 series IP65 gasket for optional battery compartment

Battery compartments



PART NO.	DESCRIPTION	COLOUR
CHHBAT1BK	Clip-in battery compartment PP3	Black
CHHBAT1GY	Clip-in battery compartment PP3	Grey
CHHBAT2BK	Clip-in battery compartment AA	Black
CHHBAT2GY	Clip-in battery compartment AA	Grey

Plastic end caps



PART NO.	COLOUR	DESCRIPTION
CHH64E1BL	Blue	To fit 20mm high cases
CHH64E1GR	Green	To fit 20mm high cases
CHH64E1RD	Red	To fit 20mm high cases
CHH64E1OR	Orange	To fit 20mm high cases
CHH64E1BK	Black	To fit 20mm high cases
CHH64E1YL	Yellow	To fit 20mm high cases
CHH64E1DG	Grey	To fit 20mm high cases

PART NO.	COLOUR	DESCRIPTION
CHH64E2BL	Blue	To fit 30mm high cases
CHH64E2GR	Green	To fit 30mm high cases
CHH64E2RD	Red	To fit 30mm high cases
CHH64E2OR	Orange	To fit 30mm high cases
CHH64E2BK	Black	To fit 30mm high cases
CHH64E2YL	Yellow	To fit 30mm high cases
CHH64E2DG	Grey-	To fit 30mm high cases



268
HANDHELD CASES

292
UNIVERSAL
PLASTIC
ENCLOSURES

317
HEAVY DUTY
AND ELECTRICAL
ENCLOSURES

341
DESKTOP AND
INSTRUMENT
CASES

369
VERSATILE IOT
AND SENSOR
ENCLOSURES

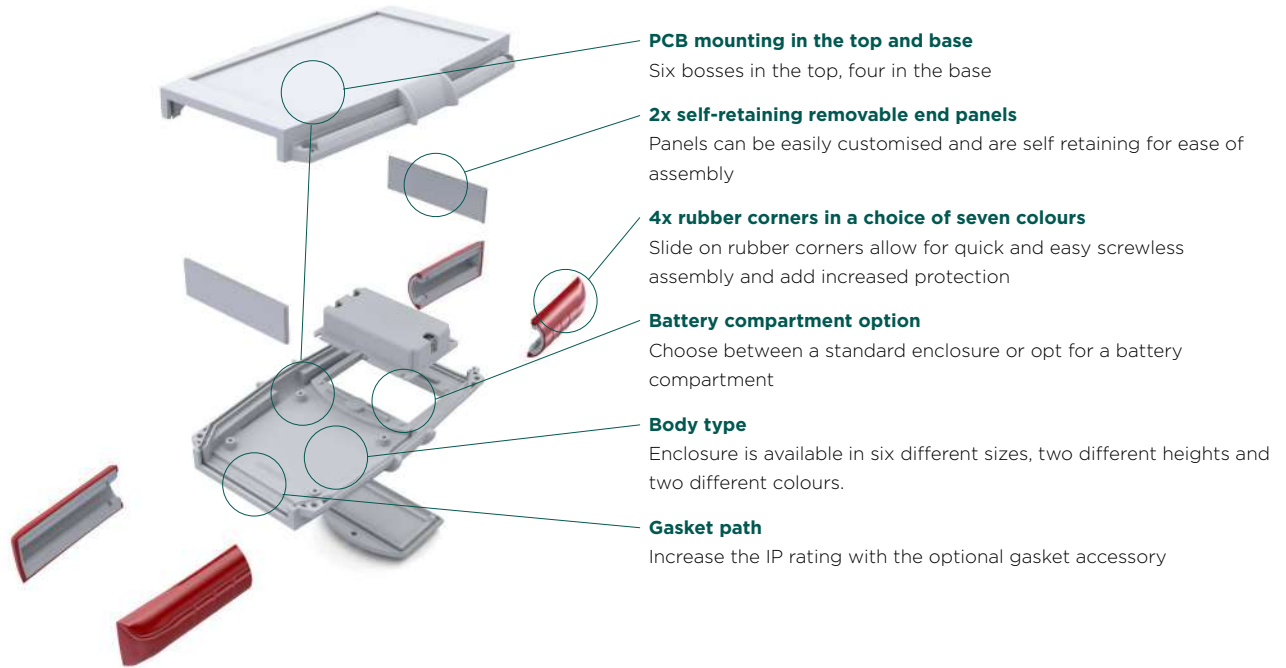
66 Series Rubber Corner Handheld Enclosures

Product overview

Advance your handheld electronic device with the 66 series range of handheld enclosures. This ergonomically designed innovative electronics enclosure is manufactured for quick and easy assembly. Available in a selection of sizes and colours, with the added option of a battery compartment. Moulded in high impact ABS, UL94-V0, the enclosure also features a choice of different coloured rubber corners for added protection. The corners are sold separately, enabling you to choose the colour to suit your requirements. They slide and catch in place to retain the enclosure halves together, allowing for quick and easy screwless assembly*.

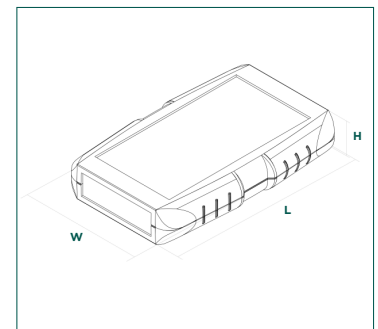


Key features



Choose your enclosure

INDIVIDUAL SIZE SPECIFICATION					
SIZE	BLACK		GREY		EXTERNAL DIMENSIONS (LXWXH)
	WITHOUT BATTERY DOOR	WITH BATTERY DOOR	WITHOUT BATTERY DOOR	WITH BATTERY DOOR	
1	CHH661NBK	CHH661BBK	CHH661NGY	CHH661BGY	145mm x 95mm x 25mm
2	CHH662NBK	CHH662BBK	CHH662NGY	CHH662BGY	145mm x 95mm x 35mm
3	CHH663NBK	CHH663BBK	CHH663NGY	CHH663BGY	185mm x 110mm x 25mm
4	CHH664NBK	CHH664BBK	CHH664NGY	CHH664BGY	185mm x 110mm x 35mm
5	CHH665NBK	CHH665BBK	CHH665NGY	CHH665BGY	200mm x 120mm x 25mm
6	CHH666NBK	CHH666BBK	CHH666NGY	CHH666BGY	200mm x 120mm x 35mm



Choose your rubber corners

CHOOSE YOUR RUBBER CORNERS		
COLOUR	TO FIT 25MM HIGH CASES	TO FIT 35MM HIGH CASES
BLUE	CHH66CIBL	CHH66C2BL
GREEN	CHH66CIGR	CHH66C2GR
RED	CHH66CIRD	CHH66C2RD
ORANGE	CHH66CIOR	CHH66C2OR
BLACK	CHH66CIBK	CHH66C2BK
YELLOW	CHH66CIYL	CHH66C2YL
GREY	CHH66CIGY	CHH66C2GY



*Screws and nuts are required for the enclosure to be mains compliant

BELTRONICA



RANGE SPECIFICATION

STANDARD UNIT INCLUDES	1 x base, 1 x lid, 2 end panels Battery door option includes: Battery door and retaining screw (M3 x6mm Pozidriv CSK)			
MATERIALS	Enclosure, lid & panels	UL94-V0 ABS		
	Rubber corners	TPE coated polypropylene		
HARDWARE (NOT SUPPLIED)	25mm enclosure	M3 nut and 8mm pan screw		
	35mm enclosure	M3 nut and 16mm pan screw		
	PCB screw	No.2 (2.2mm) 1/4" (6.5mm) pan		
ENCLOSURE COLOURS	Grey	RAL 7035		
	Black	RAL 9004		
COMPLIANCE	RoHS compliant			
IP RATING	Designed to meet the requirements of IP54 (IP65 with gasket)			
OPERATING TEMPERATURE	-10°C to 80°C			
TEST RESULTS	Standard	Test	Result	Test report
	UL94	Flammability	V0	E248280
	EN62262	Impact test	IK08	TR114
SCREW TORQUE	Enclosure screw/nut	70Nm		
	PCB screw	20Nm		
PURCHASING INFORMATION	Country of origin	China		
	Commodity code	3923101000		
	Weight	Size 1: 103g Size 2: 122g Size 3: 151g	Size 4: 174g Size 5: 181g Size 6: 191g	
	Enclosure type	Handheld		
OPTIONS	For alternative colours and materials MOQs will apply.			

Potential industries / applications

Handheld diagnostics equipment, control devices, voltmeters, sensor equipment, Mechanics, electrician marine, builders, surveyors.

Customisation options

Digital printing, screen printing, machining / drilling and engraving.



PCB DIMENSIONS FOR ENCLOSURE SIZES

SIZE	PCB MOUNTING POSITION	MAX PCB DIMENSIONS (LxW)	
		WITHOUT BATTERY COMPARTMENT	WITH BATTERY COMPARTMENT
1	LID	134mm x 70.16mm	-
	BASE	134mm x 70.16mm	70.5mm x 70.16mm
2	LID	134mm x 70.16mm	-
	BASE	134mm x 70.16mm	70.5mm x 70.16mm
3	LID	174.29mm x 84.34mm	-
	BASE	174.29mm x 84.34mm	111mm x 84.34mm
4	LID	174.29mm x 84.34mm	-
	BASE	174.29mm x 84.34mm	111mm x 84.34mm
5	LID	189mm x 94.86mm	-
	BASE	189mm x 94.86mm	120mm x 94.86mm
6	LID	189mm x 94.86mm	-
	BASE	189mm x 94.86mm	120mm x 94.86mm

Dimensions taken from edge-to-edge, corner obstructions need to be accounted for.

Battery compartment accessory

PART NO.	CLIP-IN BATTERY COMPARTMENT TYPE	COLOUR
CHHBAT1BK	PP3	Black
CHHBAT1GY	PP3	Grey
CHHBAT2BK	AA	Black
CHHBAT2GY	AA	Grey



Weatherproof gasket accessory

PART NO.	DESCRIPTION
CHH66GSKT	66 Series weatherproof gasket



PLASTIC ENCLOSURES



80 Series Slim Plastic Handheld Enclosure



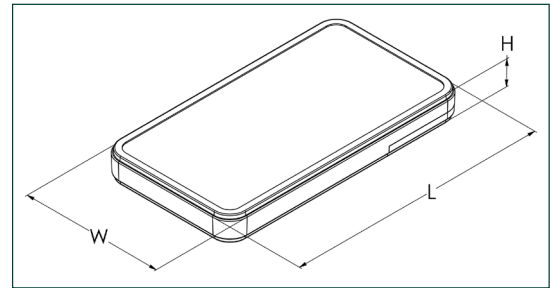
Product overview

Small ABS handheld enclosures with battery compartment and rubber boot options.

- Moulded in UL94-HB ABS
- Lid secured by four self-tapping screws
- Battery compartment options include contacts for CR2032
- Three sizes available
- Optional rubber case, open or closed variations
- Recess in base for product labels, keypads and overlays
- 80 series has been designed to meet the requirements of IP40



SPECIFICATION	
Material	Base and lid in UL94-HB ABS
Operating temperature	-10°C to +60°C
Standard colours	Black or white
Protection class	80 series has been designed to meet the requirements of IP40
Standard unit includes	Base, lid and battery-lid 4x M1.6 steel screws Battery contact
Options	Rubber boot PCB Wrist and neck straps



Without battery compartment

SIZE	BLACK	WHITE	LENGTH	WIDTH	HEIGHT	DESCRIPTION
1	CHH801NBK	CHH801NWH	75mm	35mm	12mm	No battery compartment
2	CHH802NBK	CHH802NWH	90mm	45mm	12mm	No battery compartment
3	CHH803NBK	CHH803NWH	115mm	63mm	12mm	No battery compartment

With battery compartment

SIZE	BLACK	WHITE	LENGTH	WIDTH	HEIGHT	DESCRIPTION
1	CHH801BBK	CHH801BWH	75mm	35mm	12mm	1x CR2032 battery compartment
2	CHH802BBK	CHH802BWH	90mm	45mm	12mm	1x CR2032 battery compartment
3	CHH803BBK	CHH803BWH	115mm	63mm	12mm	2x CR2032 battery compartment

KEY FEATURES

UL94-HB ABS | Options for CR2032 batteries | 3 sizes available



BELTRONICA

+44 (0)1638 716101 | sales@camdenboss.com | www.camdenboss.com

We operate a constant improvement policy, our products are subject to change without notice.

Vers 1



FM 28614

ACCESSORIES

Rubber boots

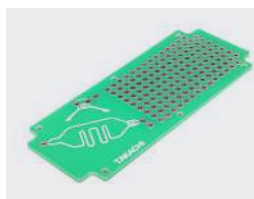
- Flexible open faced removable silicone rubber boot
- Fits tightly over base, sides and around edges of lid
- Option of open end boot
- Available in three sizes; black, blue and yellow



PART NO.	LENGTH	WIDTH	HEIGHT	DESCRIPTION
CHH80BABK	78.6mm	38.6mm	15.5mm	Rubber case, size 1, closed, black
CHH80BBBK	78.6mm	38.6mm	15.5mm	Rubber case, size 1, open, black
CHH80BABL	78.6mm	38.6mm	15.5mm	Rubber case, size 1, closed, blue
CHH80BBBL	78.6mm	38.6mm	15.5mm	Rubber case, size 1, open, blue
CHH80BCBK	93.6mm	48.6mm	15.5mm	Rubber case, size 2, closed, black
CHH80BDBK	93.6mm	48.6mm	15.5mm	Rubber case, size 2, open, black
CHH80BCBL	93.6mm	48.6mm	15.5mm	Rubber case, size2, closed, blue
CHH80BDBL	93.6mm	48.6mm	15.5mm	Rubber case, size 2, open, blue
CHH80BEBK	119.1mm	67.1mm	16mm	Rubber case, size 3, closed, black
CHH80BFBK	119.1mm	67.1mm	16mm	Rubber case, size 3, open, black
CHH80BEBL	119.1mm	67.1mm	16mm	Rubber case, size 3, closed, blue
CHH80BFBL	119.1mm	67.1mm	16mm	Rubber case, size 3, open, blue

PCB

- Exclusive PCB board for the 80 series slim plastic enclosure
- Glass epoxy board (FR-4), through-holes on both sides and 2.54mm hole pitch
- Prepared holes for the battery contact



PART NO.	LENGTH	WIDTH	HEIGHT	DESCRIPTION
CHH80PCB1	68.9mm	28.9mm	1mm	PCB board for size 1 enclosure
CHH80PCB2	83.9mm	38.9mm	1mm	PCB board for size 2 enclosure
CHH80PCB3	108.9mm	56.9mm	1mm	PCB board for size 3 enclosure

Wrist straps

- Wrist straps for 80 series slim plastic enclosure, available in six colours pink, yellow, green, blue, grey and black.



GREEN	BLUE	LIGHT GREY	BLACK	LENGTH	WIDTH
CHHWRSTGR	CHHWRSTBL	CHHWRSTLG	CHHWRSTBK	140mm	8mm

Neck straps

- Neck straps for the slim plastic enclosure, available in six colours pink, yellow, green, blue, grey and black.
- Neck strap comes with quick release joint



GREEN	BLUE	LIGHT GREY	BLACK	LENGTH	WIDTH
CHHNECKGR	CHHNECKBL	CHHNECKLG	CHHNECKBK	450mm	10mm

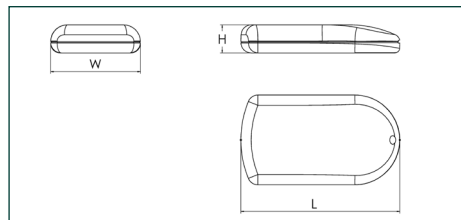
81 Series Round Edge Keyfob Enclosure



Product overview

Small ABS handheld enclosures, for wireless remote control and RFID type products.

- Tactile handheld fob box
- Snaps together without the need for screws
- Ergonomic design
- Comfortable shape
- Holes for strap or lanyard
- Colours available, white and black as standard, blue, green and pink upon request
- PCB pillars
- 81 series has been designed to meet the requirements of IP40



SPECIFICATION	
Material	Base and lid ABS UL94-HB
Operating temperature	-10°C to +60°C
Standard colours	Black or white
Protection class	81 series has been designed to meet the requirements of IP40
Standard unit includes	Base and lid

PART NO.	LENGTH	WIDTH	HEIGHT	COLOUR	STYLE
CHH81E1WH	65mm	35mm	11mm	White	Pebble
CHH81E1BK	65mm	35mm	11mm	Black	Pebble
CHH81E2WH	85mm	48mm	15mm	White	Pebble
CHH81E2BK	85mm	48mm	15mm	Black	Pebble
CHH81E3WH	50mm	50mm	14mm	White	Round
CHH81E3BK	50mm	50mm	14mm	Black	Round
CHH81E4WH	100mm	58mm	18mm	White	Pebble
CHH81E4BK	100mm	58mm	18mm	Black	Pebble

Wrist straps

- Wrist straps for 81 series slim plastic enclosure, available in six colours pink, yellow, green, blue, grey and black.



GREEN	BLUE	LIGHT GREY	BLACK	LENGTH	WIDTH
CHHWRSRGR	CHHWRSRBL	CHHWRSRGL	CHHWRSRKB	140mm	8mm

Neck straps

- Neck straps for the slim plastic enclosure, available in six colours.
- Neck strap comes with quick release joint



GREEN	BLUE	LIGHT GREY	BLACK	LENGTH	WIDTH
CHHNECKGR	CHHNECKBL	CHHNECKGL	CHHNECKKB	450mm	10mm

KEY FEATURES

Ergonomic design | Snap-in assembly | PCB pillars



BELTRONICA

+44 (0)1638 716101 | sales@camdenboss.com | www.camdenboss.com

We operate a constant improvement policy, our products are subject to change without notice.

Vers 3



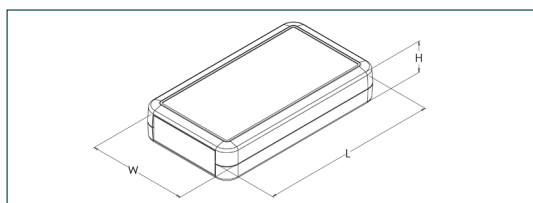
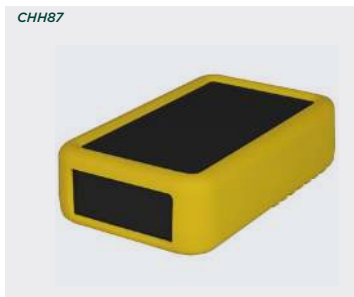
87 Series Silicone Cover Handheld Enclosure



Product overview

Handheld enclosure, suitable for measuring instruments, testing devices, wireless communication devices, medical devices etc.

- Available in nine sizes, with or without moulded battery compartments (further battery compartment options available upon request)
- Recess to front for keypads and labels
- Removable end panel
- Silicone boots available
- Silicone shockproof cover accessory also available
- Available in two colours: off-white and dark grey
- 87 series has been designed to meet the requirements of IP40



SPECIFICATION	
Materials	Base and lid high impact ABS-UL94-V0
Operating temperature	-10°C to +60°C
Standard colours	Off-white and dark grey
Protection class	87 series has been designed to meet the requirements of IP40
Standard unit includes	Self-tapping screw, base and lid
Options	Silicone case available in multiple colours

With battery compartment

SIZE	DARK GREY	OFF-WHITE	LENGTH	WIDTH	HEIGHT	BATTERY COMPARTMENT
1	CHH871DGA	CHH871WHA	115mm	69mm	19.5mm	2 x AAA battery size
2	CHH872DGB	CHH872WHB	115mm	69mm	28mm	2 x AA battery size
3	CHH873DGB	CHH873WHB	135mm	76mm	27mm	2 x AA battery size
4	CHH874DGB	CHH874WHB	135mm	76mm	35mm	2 x AA battery size
5	CHH875DGC	CHH875WHC	165mm	80mm	27mm	4 x AA battery size
6	CHH876DGC	CHH876WHC	165mm	80mm	35mm	4 x AA battery size
7	CHH877DGD	CHH877WHD	145mm	96mm	20mm	6 x AAA battery size
8	CHH878DGD	CHH878WHD	145mm	96mm	27mm	6 x AAA battery size
8	CHH878DGB	CHH878WHB	145mm	96mm	27mm	2 x AA battery size
8	CHH878DGC	CHH878WHC	145mm	96mm	27mm	4 x AA battery size
9	CHH879DGD	CHH879WHD	145mm	96mm	35mm	6 x AAA battery size
9	CHH879DGB	CHH879WHB	145mm	96mm	35mm	2 x AA battery size
9	CHH879DGC	CHH879WHC	145mm	96mm	35mm	4 x AA battery size

Without battery compartment

SIZE	DARK GREY	OFF-WHITE	LENGTH	WIDTH	HEIGHT
1	CHH871DGN	CHH871WHN	115mm	69mm	19.5mm
2	CHH872DGN	CHH872WHN	115mm	69mm	28mm
3	CHH873DGN	CHH873WHN	135mm	76mm	27mm
4	CHH874DGN	CHH874WHN	135mm	76mm	35mm
5	CHH875DGN	CHH875WHN	165mm	80mm	27mm
6	CHH876DGN	CHH876WHN	165mm	80mm	35mm
7	CHH877DGN	CHH877WHN	145mm	96mm	20mm
8	CHH878DGN	CHH878WHN	145mm	96mm	27mm
9	CHH879DGN	CHH879WHN	145mm	96mm	35mm

KEY FEATURES

9 sizes | Battery contacts supplied | Silicone covers available



BELTRONICA

+44 (0)1638 716101 | sales@camdenboss.com | www.camdenboss.com

We operate a constant improvement policy, our products are subject to change without notice.

Vers 2



FM 28614

ACCESSORIES

Silicone cover

- Flexible open faced removable silicone rubber cover in seven colours
- Fits tightly over base, sides and around edges of lid
- Custom colours available from MOQ 500 pcs per order, just provide us with your pantone colour
- Rubber boots can be customised
- Open end

SIZE	PART NO.	LENGTH	WIDTH	HEIGHT	DESCRIPTION
1	CHH87C1*	120mm	74mm	24mm	Fits enclosure size 1
2	CHH87C2*	120mm	74mm	32.5mm	Fits enclosure size 2
3	CHH87C3*	141mm	81mm	32mm	Fits enclosure size 3
4	CHH87C4*	141mm	81mm	40mm	Fits enclosure size 4
5	CHH87C5*	171mm	85mm	32mm	Fits enclosure size 5
6	CHH87C6*	171mm	85mm	40mm	Fits enclosure size 6
7	N/A				
8	CHH87C8*	151mm	101mm	32mm	Fits enclosure size 8
9	CHH87C9*	151mm	101mm	40mm	Fits enclosure size 9

* Please add suffix
RD= Red; BL= Blue; DG= Dark grey; GN=Green; LG=Light grey



Red

Blue

Dark grey

Green

Light grey

Shock-proof silicone covers

- Shock proof silicone cover, five colours and nine sizes
- Flexible open faced removable silicone cover
- Fits tightly over base, sides and around edges of lid
- Custom colours available, just provide us with your pantone/RAL colour (MOQ applies)
- Open end

SIZE	PART NO.	LENGTH	WIDTH	HEIGHT	DESCRIPTION
1	CHH87SP1*	121.9mm	76mm	28mm	Fits enclosure size 1
2	CHH87SP2*	121.9mm	76mm	36.5mm	Fits enclosure size 2
3	CHH87SP3*	143.9mm	85mm	40mm	Fits enclosure size 3
4	CHH87SP4*	143.9mm	85mm	48mm	Fits enclosure size 4
5	CHH87SP5*	173.9mm	89mm	40mm	Fits enclosure size 5
6	CHH87SP6*	173.9mm	89mm	48mm	Fits enclosure size 6
7	N/A				
8	CHH87SP8*	153.9mm	105mm	40mm	Fits enclosure size 8
9	CHH87SP9*	153.9mm	105mm	48mm	Fits enclosure size 9

* Please add suffix
GN=Green; OR=Orange; NY= Navy; DG= Dark grey;



Green

Orange

Navy

Dark grey

292

UNIVERSAL
PLASTIC
ENCLOSURES

317

HEAVY DUTY
AND ELECTRICAL
ENCLOSURES

341

DEVELOPMENT
BOARD
ENCLOSURES

369

VERSATILE IOT
AND SENSOR
ENCLOSURES

PLASTIC ENCLOSURES

BELTRONICA



FM 28614

+44 (0)1638 716101 | sales@camdenboss.com | www.camdenboss.com

We operate a constant improvement policy, our products are subject to change without notice.

287

Vers 1

90 series Waterproof Soft Grip Handheld Enclosure



Product overview

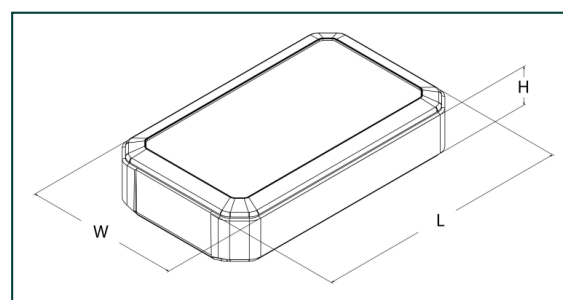
IP67 waterproofed enclosures for harsh conditions, stylish design with chamfered edge and made from flame-resistant ABS (UL94-V0).

- Manufactured in ABS UL94-V0
- Available in black or white
- Rubber (TPE) sides provide a soft touch feel and extra protection (five colours available)
- Seven types - plain (no battery), x4 AAA, x3 AAA, x2 AAA x4 AA, x3 AA and x2 AA
- Suitable for various hand-held apparatus, such as measuring instruments, inspection machines, transmitters and medical equipment
- 90 series has been designed to meet the requirements of IP67



SPECIFICATION

Material	Base and lid ABS UL94-V0
Operating temperature	-10°C to +60°C
Standard colours	Black or white
Standard unit includes	Base, lid, sides, gasket and screws
Protection class	90 series has been designed to meet the requirements of IP67



Black enclosure

PART NO.	LENGTH	WIDTH	HEIGHT	DESCRIPTION
CHH901AB*	146mm	88mm	20mm	x4 AAA battery compartment
CHH901NB*	146mm	88mm	20mm	Plain
CHH902BB*	146mm	88mm	25mm	x2 AA battery compartment
CHH902CB*	146mm	88mm	25mm	x3 AA battery compartment
CHH902NB*	146mm	88mm	25mm	Plain
CHH903BB*	146mm	88mm	33mm	x2 AA battery compartment
CHH903CB*	146mm	88mm	33mm	x3 AA battery compartment
CHH903NB*	146mm	88mm	33mm	Plain
CHH904DB*	126mm	79mm	20mm	x2 AAA battery compartment
CHH904EB*	126mm	79mm	20mm	x3 AAA battery compartment
CHH904NB*	126mm	79mm	20mm	Plain
CHH905DB*	126mm	79mm	28mm	x2 AAA battery compartment
CHH905EB*	126mm	79mm	28mm	x3 AAA battery compartment
CHH905NB*	126mm	79mm	28mm	Plain
CHH906FB*	171mm	95mm	25mm	4xAA battery compartment
CHH906NB*	171mm	95mm	25mm	Plain
CHH907FB*	171mm	95mm	33mm	4xAA battery compartment
CHH907NB*	171mm	95mm	33mm	Plain
CHH908NB*	191mm	126mm	25mm	Plain
CHH908GB*	191mm	126mm	25mm	6xAA battery compartment
CHH909NB*	191mm	126mm	33mm	Plain
CHH909GB*	191mm	126mm	33mm	6xAA battery compartment

* Please add suffix
B= Black rubber corners; G= Grey rubber corners; L= Blue rubber corners; R= Red rubber corners; Y= Yellow rubber corners



White enclosure

PART NO.	LENGTH	WIDTH	HEIGHT	DESCRIPTION
CHH901AW*	146mm	88mm	20mm	x4 AAA battery compartment
CHH901NW*	146mm	88mm	20mm	Plain
CHH902BW*	146mm	88mm	25mm	x2 AA battery compartment
CHH902CW*	146mm	88mm	25mm	x3 AA battery compartment
CHH902NW*	146mm	88mm	25mm	Plain
CHH903BW*	146mm	88mm	33mm	x2 AA battery compartment
CHH903CW*	146mm	88mm	33mm	x3 AA battery compartment
CHH903NW*	146mm	88mm	33mm	Plain
CHH904DW*	126mm	79mm	20mm	x2 AAA battery compartment
CHH904EW*	126mm	79mm	20mm	x3 AAA battery compartment
CHH904NW*	126mm	79mm	20mm	Plain
CHH905DW*	126mm	79mm	28mm	x2 AAA battery compartment
CHH905EW*	126mm	79mm	28mm	x3 AAA battery compartment
CHH905NW*	126mm	79mm	28mm	Plain
CHH906FW*	171mm	95mm	25mm	4xAA battery compartment
CHH906NW*	171mm	95mm	25mm	Plain
CHH907FW*	171mm	95mm	33mm	4xAA battery compartment
CHH907NW*	171mm	95mm	33mm	Plain
CHH908NW*	191mm	126mm	25mm	Plain
CHH908GW*	191mm	126mm	25mm	6xAA battery compartment
CHH909NW*	191mm	126mm	33mm	Plain
CHH909GW*	191mm	126mm	33mm	6xAA battery compartment

* Please add suffix
 B= Black rubber corners; G= Grey rubber corners; L= Blue rubber corners; R= Red rubber corners; Y= Yellow rubber corners



292
UNIVERSAL
PLASTIC
ENCLOSURES

317
HEAVY DUTY
AND ELECTRICAL
ENCLOSURES

341
DEVELOPMENT
BOARD
ENCLOSURES

369
VERSATILE IOT
AND SENSOR
ENCLOSURES

PLASTIC ENCLOSURES

BELTRONICA



+44 (0)1638 716101 | sales@camdenboss.com | www.camdenboss.com

We operate a constant improvement policy, our products are subject to change without notice.

289

Vers 1

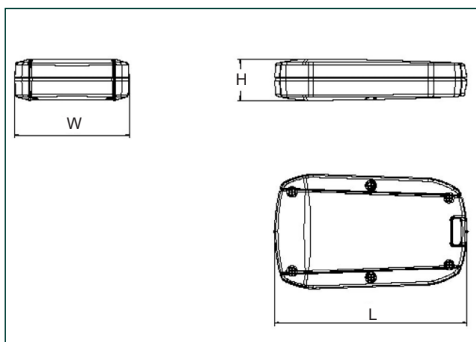
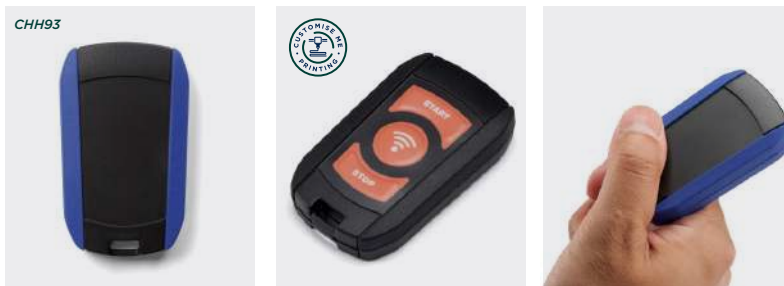
93 Series IP67 Soft Grip Keyfob Enclosure



Product overview

IP67 handheld enclosures with TPE sides for comfortable feel.

- Two sizes available in three colour combinations
- Plain and battery compartment options as standard (CR2032 coin cell)
- TPE side grip provides a comfortable feel as well as protection from impact
- Suitable for remote controls, keyfobs, wireless devices, RFID, GPS tracking and more
- 93 series has been designed to meet the requirements of IP67



SPECIFICATION		
Materials	Top cover and bottom cover Battery cover Battery contact O-ring Screw	ABS UL94-HB / TPE (Black, Black Blue, White Grey) ABS UL94-HB, black Stainless steel SUS304 nickel plated Silicone, black Stainless steel SUS304, unfinished
Operating temperature	-10°C to +50°C	
Protection class	93 series has been designed to meet the requirements of IP67	
Standard unit includes	X1 Top cover and x1 bottom cover: X1 Battery cover * X1 Battery contact * x1 O-ring * X7 Screws * = battery versions only	

Black enclosure black grip

PART NO.	LENGTH	WIDTH	HEIGHT	BATTERY TYPE
CHH931NBB	72mm	43mm	15.5mm	None
CHH931BBB	72mm	43mm	15.5mm	1x CR2032 battery compartment
CHH932NBB	90mm	44.2mm	15.7mm	None
CHH932BBB	90mm	44.2mm	15.7mm	1x CR2032 battery compartment



Black enclosure blue grip

PART NO.	LENGTH	WIDTH	HEIGHT	BATTERY TYPE
CHH931NBL	72mm	43mm	15.5mm	None
CHH931BBL	72mm	43mm	15.5mm	1x CR2032 battery compartment
CHH932NBL	90mm	44.2mm	15.7mm	None
CHH932BBL	90mm	44.2mm	15.7mm	1x CR2032 battery compartment



White enclosure light grey grip

PART NO.	LENGTH	WIDTH	HEIGHT	BATTERY TYPE
CHH931NWG	72mm	43mm	15.5mm	None
CHH931BWG	72mm	43mm	15.5mm	1x CR2032 battery compartment
CHH932NWG	90mm	44.2mm	15.7mm	None
CHH932BWG	90mm	44.2mm	15.7mm	1x CR2032 battery compartment



ACCESSORIES

PCB

- Glass epoxy board (FR-4), through holes on both sides, 2.54mm hole pitch
- Designed with a battery contact hole
- Battery contact position and direction are printed on the PCB
- Please use battery contacts included with the enclosures



PART NO.	CASE TYPE
CHH93PCB1	Size 1 (72mm x 43mm x 15.5mm)
CHH93PCB2	Size 2 (90mm x 44.2mm x 15.7mm)

2910 series plastic handheld enclosures

Product overview

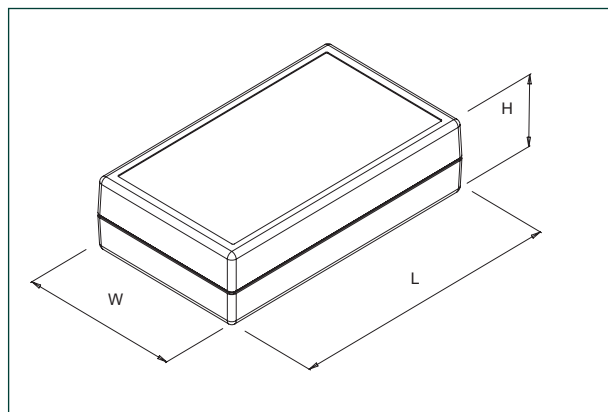
Functional hand-held ABS cases with recessed lid and a battery compartment.

- Lid and base moulded in high grade ABS
- Lid secured by four M3 machine screws
- Snap-on battery compartment lid
- Battery compartment with space for two AA, AAA or one PP3 battery
- PCB pillars in base
- Recess in lid for membrane keypads or overlays
- 2910 series has been designed to meet the requirements of IP54



SPECIFICATION	
Materials	Base and lid and battery lid in high grade ABS UL94-V0
Operating temperature	Resistant to temperatures of up to 80°C
Protection class	2910 series has been designed to meet the requirements of IP54
Standard colours	Light grey similar to RAL 7035 or black similar to RAL 9004
Standard unit includes	Base and lid Battery compartment lid 4 x M3 machine screws 4 x self-tapping PCB screws

BLACK	GREY	LENGTH	WIDTH	HEIGHT
CHHMC01BK	CHHMC01GY	105mm	61mm	28mm
CHHMC02BK	CHHMC02GY	145mm	80mm	34mm



KEY FEATURES

High grade ABS | Battery compartment | PCB pillars



2950 Series ABS Handheld Enclosure

Product overview

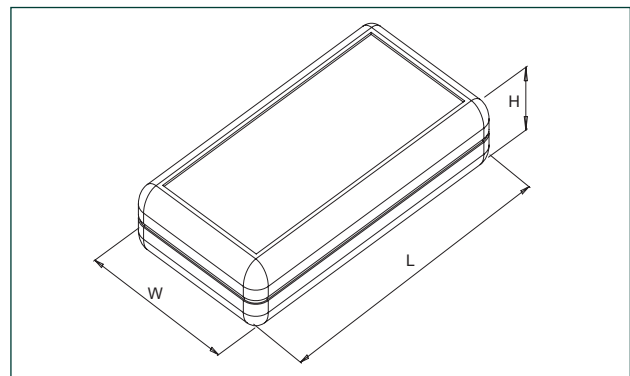
Low-profile enclosures with battery compartment and interchangeable front panel for test and measurement equipment, remote controls and wireless technology.

- Moulded in high impact ABS or UL94-V0 ABS
- Low profile moulding
- Pocket sized cases
- Recesses top and base
- Snap-on battery compartment
- PCB pillars in lid and base
- 2950 series has been designed to meet the requirements of IP54



SPECIFICATION

Materials	2950 - 39 2950 - 39UL 2950 - 89	High impact ABS UL94-V0 ABS High impact ABS
Protection class	2950 series has been designed to meet the requirements of IP54	
Standard colours	Light grey similar to RAL 9002 Black similar to RAL 9004	
Standard unit includes	Base and lid ABS front panel 4x M3 machine screws	
Options	Battery contact kit	



BLACK	LIGHT GREY	LENGTH	WIDTH	HEIGHT	MATERIAL	STYLE
2950-39B	2950-39G	135mm	70mm	24mm	ABS	Battery compartment
2950-39BUL	2950-39GUL	135mm	70mm	24mm	ABS	Battery compartment
-	2950-89G	172mm	77mm	25mm	ABS	-

KEY FEATURES

High impact ABS, UL94-V0 | Pocket sized cases | PCB pillars



ACCESSORIES

Battery contact kit

- AA size battery contact kit push-fit into pre-moulded pillars inside the case



PART NO.	DESCRIPTION
2950-310	Battery contact kit

2955 Series Buttoned Keyfob Enclosure

Product overview

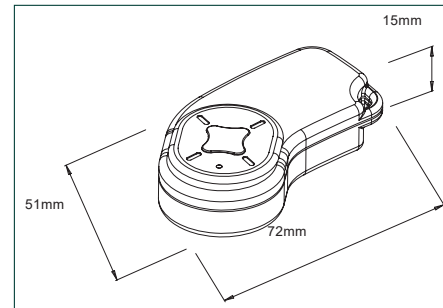
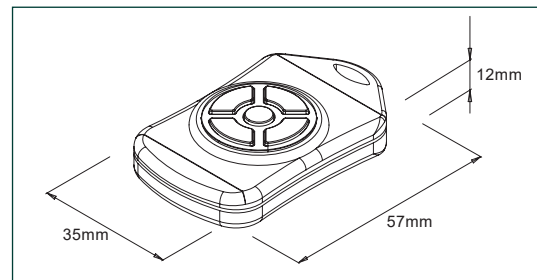
ABS keyfobs with round 1-to-5 rubber button layout.

- Moulded in ABS
- Snap-fit assembly of lid and base
- 1-to-5 rubber buttons with contact pads
- Enclosed battery compartment for coin cells
- Eyelet for keyring
- 2955-40R-* feature a clear silicone LED window



BLACK	DESCRIPTION
2955-20R-1	1 button
2955-20R-2	2 button
2955-20R-3	3 button
2955-20R-4	4 button
2955-20R-5	5 button

SPECIFICATION	
Materials	Base, lid and adapter ABS Push buttons silicone
Standard colours	Base, lid and adapter black similar to RAL 9004 Push buttons light grey similar to RAL 7037
Standard unit includes	Base and lid Push-button insert Button adapter



BLACK	DESCRIPTION
2955-40R-1	1 button
2955-40R-2	2 button
2955-40R-3	3 button
2955-40R-4	4 button
2955-40R-5	5 button

SPECIFICATION	
Materials	Base, lid and adapter ABS Push buttons silicone
Standard colours	Base, lid and adapter black similar to RAL 9004 Push buttons light grey similar to RAL 7037
Standard unit includes	Base and lid Push-button insert Button adapter

KEY FEATURES

Rubber button layout | Battery compartment | High impact ABS

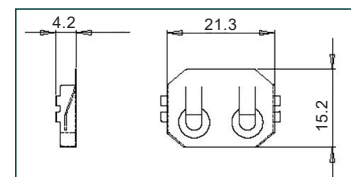


ACCESSORIES

2955 series battery holder

- Spring steel nickel-plated battery holder
- CR2032 battery compartment type
- Fits 20mm coin cell lithium type battery (not included)

PART NO.	DESCRIPTION
2955-BATT-HDR	20mm coin cell battery holder



BELTRONICA

+44 (0)1638 716101 | sales@camdenboss.com | www.camdenboss.com

We operate a constant improvement policy, our products are subject to change without notice.

Vers 2



FM 28614

2955 Series Buttoned Keyfob Enclosure

Product overview

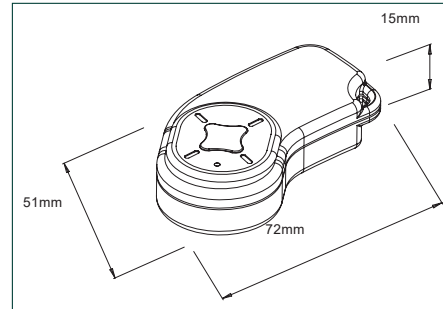
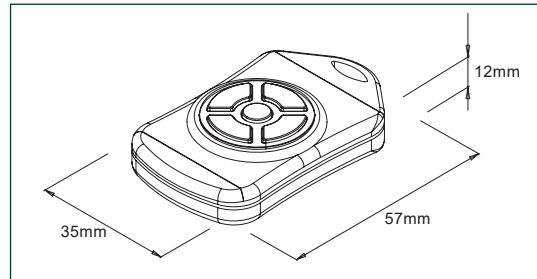
ABS keyfobs with round 1-to-5 rubber button layout.

- Moulded in ABS
- Snap-fit assembly of lid and base
- 1-to-5 rubber buttons with contact pads
- Enclosed battery compartment for coin cells
- Eyelet for keyring
- 2955-40R-* feature a clear silicone LED window



BLACK	DESCRIPTION
2955-20R-1	1 button
2955-20R-2	2 button
2955-20R-3	3 button
2955-20R-4	4 button
2955-20R-5	5 button

SPECIFICATION	
Materials	Base, lid and adapter ABS Push buttons silicone
Standard colours	Base, lid and adapter black similar to RAL 9004 Push buttons light grey similar to RAL 7037
Standard unit includes	Base and lid Push-button insert Button adapter



BLACK	DESCRIPTION
2955-40R-1	1 button
2955-40R-2	2 button
2955-40R-3	3 button
2955-40R-4	4 button
2955-40R-5	5 button

SPECIFICATION	
Materials	Base, lid and adapter ABS Push buttons silicone
Standard colours	Base, lid and adapter black similar to RAL 9004 Push buttons light grey similar to RAL 7037
Standard unit includes	Base and lid Push-button insert Button adapter

KEY FEATURES

Rubber button layout | Battery compartment | High impact ABS

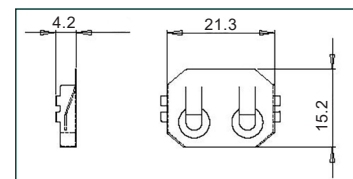


ACCESSORIES

2955 series battery holder

- Spring steel nickel-plated battery holder
- CR2032 battery compartment type
- Fits 20mm coin cell lithium type battery (not included)

PART NO.	DESCRIPTION
2955-BATT-HDR	20mm coin cell battery holder



BELTRONICA

+44 (0)1638 716101 | sales@camdenboss.com | www.camdenboss.com

We operate a constant improvement policy, our products are subject to change without notice.

Vers 2



FM 28614

292
UNIVERSAL
PLASTIC
ENCLOSURES

317
HEAVY DUTY
AND ELECTRICAL
ENCLOSURES

341
DEVELOPMENT
BOARD
ENCLOSURES

369
VERSATILE IOT
AND SENSOR
ENCLOSURES

PLASTIC ENCLOSURES

2970 Series T-style Handheld Enclosure

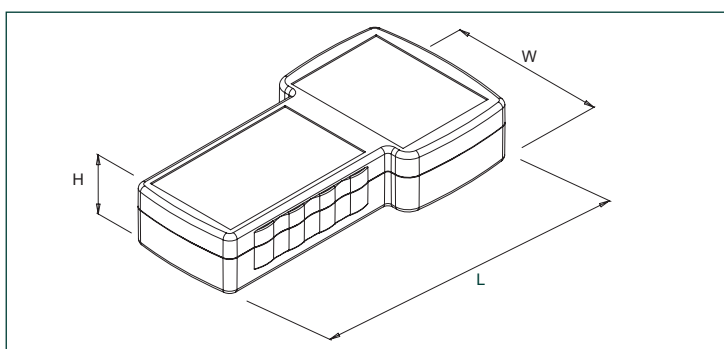
Product overview

Ergonomic 'T'-style hand-held enclosure with LCD display cut-out and battery compartment options and membrane keypad recess in lid.

- Moulded in high impact ABS
- Large LCD cut-out area (optional)
- Available with or without battery compartment for 2x AA batteries
- Recesses in lid for membrane keypads or overlays
- Removable tilt stand which is suitable for surface mounting supplied as standard
- 2970 series has been designed to meet the requirements of IP54 or additionally, IP65 with the optional gasket accessory



SPECIFICATION	
Materials	Base, lid and tilt stand high impact ABS
Protection class	2970 series has been designed to meet the requirements of IP54 or additionally, IP65 with the optional gasket accessory
Standard colours	Light grey or black
Standard unit includes	Lid, base, tilt stand and screws
Options	EPDM gasket for IP65 seal



BLACK	LIGHT GREY	LENGTH	WIDTH	HEIGHT	STYLE	
2970-28BS	2970-28GS	210mm	110mm	41mm	-	-
2970-28BO	2970-28GO	210mm	110mm	41mm	cut-out display	-
2970-28BSBC	2970-28GSBC	210mm	110mm	41mm	-	Battery compartment
2970-28BOBC	2970-28GOBC	210mm	110mm	41mm	cut-out display	Battery compartment

KEY FEATURES

LCD display cut-out | Battery compartment | High impact ABS



ACCESSORIES

2970 series IP65 gasket



PART NO.	DESCRIPTION
2970-28GSKT	2970 Series IP65 gasket

BELTRONICA

+44 (0)1638 716101 | sales@camdenboss.com | www.camdenboss.com

We operate a constant improvement policy, our products are subject to change without notice.

Vers 1

Avenida de Somosierra, 22E - 6 y 7
E-28703 S.S. de los Reyes (Madrid)
Tel. +34 916 591 900 · www.drilco.net



FM 28614