

268
HANDHELD CASES

292
UNIVERSAL
ENCLOSURES

318
HEAVY DUTY
AND ELECTRICAL
ENCLOSURES

342
DESKTOP AND
INSTRUMENT
CASES

348
DEVELOPMENT
BOARD
ENCLOSURES

367
ROOM SENSOR
ENCLOSURES

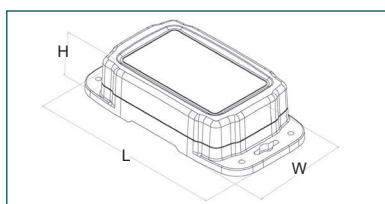
370
CUSTOM SIZED
ENCLOSURES

71 series flanged IP66 enclosures

Product overview

Large robust enclosures with IP66 gasket. Designed for outdoor applications in UV stable, polycarbonate UL94-V0.

- Mounting flanges on the base
- Recessed cover
- PCB mounting bosses in the base and cover
- Fitted silicone rubber gasket for dust and moisture resistance
- Black UV stabilised polycarbonate
- Secured from rear face for security/anti-tamper
- 71 series has been designed to meet the requirements of NEMA 4X/IP66 ratings



CHD71



SPECIFICATION

Materials	Polycarbonate UL94-V0
Operating temperature	-40°C to +120°C
Protection class	71 series has been designed to meet the requirements of NEMA 4X/IP66 ratings
Standard colours	Black
Standard unit includes	Base Cover Silicone gasket 4x stainless steel enclosure screws

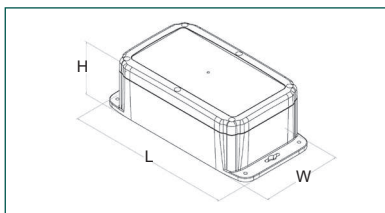
PART. NO	LENGTH	WIDTH	HEIGHT
CHD7101BK	139.70mm	88.9mm	38.1mm
CHD7102BK	168.40mm	118.9mm	60.2mm

72 series flanged IP66 enclosures

Product overview

Polished finish polycarbonate enclosures, IP66 rated, for outdoor (waterproof) applications.

- Durable, impact-resistant UV stabilised polycarbonate UL94-V0
- Mounting flanges on the base
- Recessed cover
- Solid cover or transparent cover option
- PCB mounting bosses in the base and cover
- Fitted silicone rubber gasket for dust and moisture resistance
- Captive, stainless steel screws thread into brass inserts
- 72 series has been designed to meet the requirements of NEMA 4X/IP66 ratings



CHD720



SPECIFICATION

Materials	Polycarbonate UL94-V0
Operating temperature	- 40°C to +120°C
Protection class	72 series has been designed to meet the requirements of NEMA 4X/IP66 ratings
Standard colours	Light grey - RAL7035
Standard unit includes	Base Cover (inc gasket) Enclosure screws

GREY LID	CLEAR LID	LENGTH	WIDTH	HEIGHT
CHD7201GY	CHD7211GY	193.8mm	117.6mm	78.5mm
CHD7202GY	CHD7212GY	222.3mm	133.4mm	83.8mm

KEY FEATURES

Surface mounting flanges | UL94-V0 | PCB stand offs

BELTRONICA

+44 (0)1638 716101 | sales@camdenboss.com | www.camdenboss.com

We operate a constant improvement policy, our products are subject to change without notice.

Vers 1



PLASTIC ENCLOSURES

332

82 Series Multipurpose ABS Enclosure



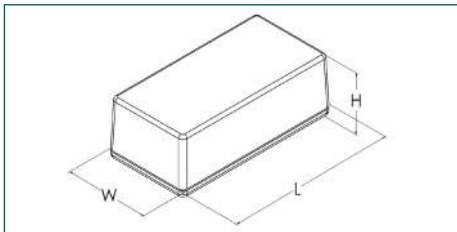
Product overview

Multi-purpose ABS cases, designed for a broad range of applications.

- Universal plastic enclosure with screw fastening
- Available in 23 sizes in two colours; white and black
- Suitable for measuring instruments, testing, devices, wireless communications devices, medical devices etc
- Black enclosure UL94-HB
- White enclosure UL94-V0 (UL94-V1 where indicated)*
- 82 series has been designed to meet the requirements of IP40



Silicone boots available as accessories



SPECIFICATION	
Materials	Lid and base high impact ABS Black: UL94-HB White: UL94-V0/UL94-V1
Operating temperature	-10°C to +60°C
Standard colours	Black and white
Protection class	82 series has been designed to meet the requirements of IP40
Standard unit includes	Self-tapping screw, lid and base

SIZE	BLACK	WHITE	LENGTH	WIDTH	HEIGHT
1	CUE8201BK	CUE8201WH*	50mm	35mm	20mm
2	CUE8202BK	CUE8202WH*	60mm	35mm	20mm
3	CUE8203BK	CUE8203WH*	80.3mm	40.3mm	20mm
4	CUE8204BK	CUE8204WH*	70mm	50mm	15mm
5	CUE8205BK	CUE8205WH*	70mm	50mm	27.5mm
6	CUE8206BK	CUE8206WH*	70mm	50mm	40mm
7	CUE8207BK	CUE8207WH*	90mm	45mm	25mm
8	CUE8208BK	CUE8208WH	105mm	70mm	20mm
9	CUE8209BK	CUE8209WH	105mm	70mm	35mm
10	CUE8210BK	CUE8210WH	105mm	70mm	50mm
11	CUE8211BK	CUE8211WH	130mm	65mm	25.6mm
12	CUE8212BK	CUE8212WH	130mm	65mm	50mm
13	CUE8213BK	CUE8213WH	80mm	80mm	20mm
14	CUE8214BK	CUE8214WH	80mm	80mm	40mm
15	CUE8215BK	CUE8215WH	170mm	85.5mm	35.4mm
16	CUE8216BK	CUE8216WH	170mm	85.5mm	60.6mm
17	CUE8217BK	CUE8217WH	220mm	110mm	45.3mm
18	CUE8218BK	CUE8218WH	220mm	110mm	75.3mm
19	CUE8219BK	CUE8219WH	125mm	125mm	25mm
20	CUE8220BK	CUE8220WH	125mm	125mm	45mm
21	CUE8221BK	CUE8221WH	175mm	125mm	25mm
22	CUE8222BK	CUE8222WH	175mm	125mm	45mm
23	CUE8223BK	CUE8223WH	175mm	125mm	65mm

KEY FEATURES

Screw fastening enclosure | 23 sizes | Available in white and black



BELTRONICA

+44 (0)1638 716101 | sales@camdenboss.com | www.camdenboss.com

We operate a constant improvement policy, our products are subject to change without notice.

Vers 2



FM 28614



268
HANDHELD CASES

292
UNIVERSAL
PLASTIC
ENCLOSURES

317
HEAVY DUTY
AND ELECTRICAL
ENCLOSURES

341
DEVELOPMENT
BOARD
ENCLOSURES

369
VERSATILE IOT
AND SENSOR
ENCLOSURES

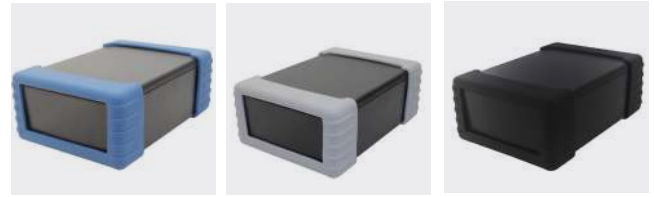
PLASTIC ENCLOSURES

308

ACCESSORIES

Rubber boots

- Flexible open-faced removable silicone rubber boot
- Boots offer protection to the enclosure
- Boot has pre-moulded holes to enable securing of boot to the enclosure
- Fits tightly over base, sides and around edges of lid
- Available in nine sizes and six colours, suits boxes: 11, 12, 15, 16, 17, 18, 19, 20, 21, 22, 23



YELLOW	GREEN	BLUE	GREY	BLACK	LENGTH	WIDTH	HEIGHT	DESCRIPTION
CUE82B1YL	CUE82B1GN	CUE82B1BL	CUE82B1GY	CUE82B1BK	27mm	71mm	32mm	To fit size 11
CUE82B2YL	CUE82B2GN	CUE82B2BL	CUE82B2GY	CUE82B2BK	27mm	71mm	56mm	To fit size 12
CUE82B3YL	CUE82B3GN	CUE82B3BL	CUE82B3GY	CUE82B3BK	33mm	91.5mm	41.5mm	To fit size 15
CUE82B4YL	CUE82B4GN	CUE82B4BL	CUE82B4GY	CUE82B4BK	33mm	91.5mm	66.5mm	To fit size 16
CUE82B5YL	CUE82B5GN	CUE82B5BL	CUE82B5GY	CUE82B5BK	40mm	116mm	51.5mm	To fit size 17
CUE82B6YL	CUE82B6GN	CUE82B6BL	CUE82B6GY	CUE82B6BK	40mm	116mm	81.5mm	To fit size 18
CUE82B7YL	CUE82B7GN	CUE82B7BL	CUE82B7GY	CUE82B7BK	38mm	131mm	31mm	To fit sizes 19, 21
CUE82B8YL	CUE82B8GN	CUE82B8BL	CUE82B8GY	CUE82B8BK	38mm	131mm	51mm	To fit sizes 20, 22
CUE82B9YL	CUE82B9GN	CUE82B9BL	CUE82B9GY	CUE82B9BK	38mm	131mm	71mm	To fit size 23

BELTRONICA

+44 (0)1638 716101 | sales@camdenboss.com | www.camdenboss.com

We operate a constant improvement policy, our products are subject to change without notice.

Vers 1



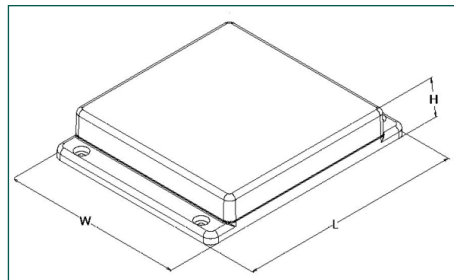
FM 28614

83 Series Multipurpose Flanged ABS Enclosure

Product overview

Multi-purpose flanged enclosure designed for wall-mounting or surface mount devices.

- Suitable for measuring instruments, communication devices, controllers etc
- Lid and base moulded in flame resistant ABS.
- Lid mounted by four M3 machine screws
- Excellent properties for machining
- Available in 18 sizes in white and dark grey, UL94-V0
- 83 series has been designed to meet the requirements of IP40



SPECIFICATION	
Materials	Lid and base high impact ABS UL94-V0
Operating temperature	-10°C to +60°C
Standard colours	Off white and dark grey
Protection class	83 series has been designed to meet the requirements of IP40
Standard unit includes	Base and lid Nickel plated screw

SIZE	DARK GREY	OFF-WHITE	LENGTH	WIDTH	HEIGHT
1	CUE8301DG	CUE8301WH	70mm	35.4mm	22mm
7	CUE8307DG	CUE8307WH	111mm	45.6mm	27.5mm
8	CUE8308DG	CUE8308WH	127mm	70.6mm	20.5mm
9	CUE8309DG	CUE8309WH	127mm	70.6mm	35.5mm
10	CUE8310DG	CUE8310WH	127mm	70.6mm	50.5mm
11	CUE8311DG	CUE8311WH	150mm	65.5mm	25.5mm
12	CUE8312DG	CUE8312WH	150mm	65.5mm	50mm
13	CUE8313DG	CUE8313WH	100mm	80.6mm	23.5mm
14	CUE8314DG	CUE8314WH	100mm	80.6mm	43.5mm
15	CUE8315DG	CUE8315WH	190mm	86mm	35mm
16	CUE8316DG	CUE8316WH	190mm	86mm	60mm
17	CUE8317DG	CUE8317WH	250mm	110.3mm	45mm
18	CUE8318DG	CUE8318WH	250mm	110.3mm	75mm
19	CUE8319DG	CUE8319WH	155.6mm	125.6mm	25mm
20	CUE8320DG	CUE8320WH	155.6mm	125.6mm	45mm
21	CUE8321DG	CUE8321WH	205.6mm	125.6mm	25mm
22	CUE8322DG	CUE8322WH	205.6mm	125.6mm	45mm
23	CUE8323DG	CUE8323WH	205.6mm	125.6mm	65mm

NB: Length includes flanges

KEY FEATURES

Flame resistant ABS | 18 sizes | Flanged for wall mounting



PLASTIC ENCLOSURES

BELTRONICA

+44 (0)1638 716101 | sales@camdenboss.com | www.camdenboss.com

We operate a constant improvement policy, our products are subject to change without notice.

Vers 2



FM 28614

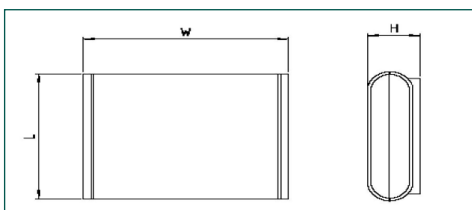
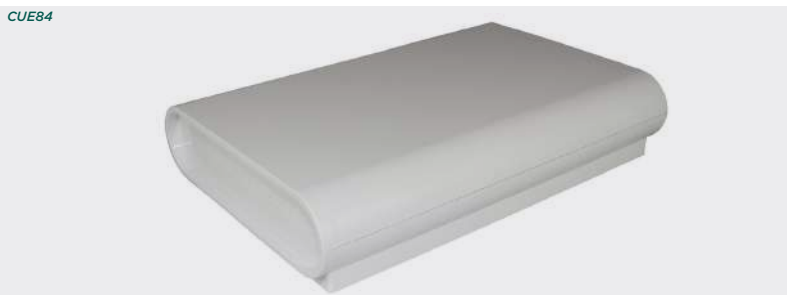
84 Series Network ABS Enclosure



Product overview

ABS round shaped case, suitable for wall mounting, home energy systems and home automation.

- Snap-fit enclosures - no screws required
- Surface mount knockout option
- Available in two sizes
- Internal pillars for PCB mounting
- Applications in home energy, home automation and control units
- 84 series has been designed to meet the requirements of IP40



SPECIFICATION	
Materials	ABS as standard UL94-HB
Operating temperature	-10°C to +60°C
Standard colours	White
Protection class	84 series has been designed to meet the requirements of IP40
Standard unit includes	Base and lid

CB WHITE	LENGTH	WIDTH	HEIGHT
CDT8401WH	110mm	140mm	35mm
CDT8402WH	125mm	180mm	35mm

KEY FEATURES

Snap-fit enclosure | Available in two sizes | Wall mounting

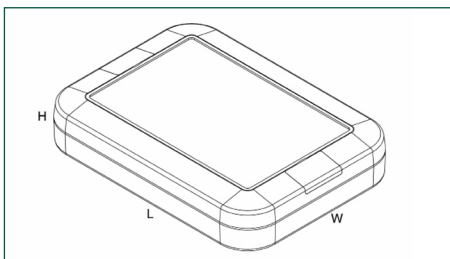


91 series IP67 low profile cases

Product overview

Beautifully designed low profile IP67 waterproof enclosures, ideal for tracking/monitoring in harsh environment

- IP67 rated, perfect for outdoor application
- White enclosures made from ASA UL94-HB plastic for high ultraviolet resistance
- Dark grey enclosures made from ABS UL94-V0 plastic for high flammability rating
- Wall mount holes behind hinged caps for superior aesthetic finish
- Mounting kit accessory for easy mounting to poles, pillars, posts and lamp posts
- 91 series has been designed to meet the requirements of IP67



SPECIFICATION	
Material:	Base and lid ABS UL94-V0 Base and lid ASA UL94-HB
Operating temperature	ABS, -10°C to +50°C ASA, -30°C to +60°C
Standard colours	Dark grey or white grey
Standard unit includes	Lid and base, gasket and fixing screws
Protection class	91 series has been designed to meet the requirements of IP67

DARK GREY	WHITE GREY	LENGTH	WIDTH	HEIGHT
CHD91E7DG	CHD91E7WG	65mm	52mm	18mm
CHD91E8DG	CHD91E8WG	65mm	52mm	27mm
CHD91E1DG	CHD91E11WG	75mm	75mm	22mm
CHD91E12DG	CHD91E12WG	75mm	75mm	35mm
CHD91E9DG	CHD91E9WG	80mm	60mm	20mm
CHD91E10DG	CHD91E10WG	80mm	60mm	30mm
CHD91E13DG	CHD91E13WG	100mm	75mm	22mm
CHD91E14DG	CHD91E14WG	100mm	75mm	35mm
CHD91E3DG	CHD91E3WG	100mm	100mm	25mm
CHD91E4DG	CHD91E4WG	100mm	100mm	40mm
CHD91E1DG	CHD91E1WG	130mm	90mm	25mm
CHD91E2DG	CHD91E2WG	130mm	90mm	40mm
CHD91E5DG	CHD91E5WG	150mm	110mm	27mm
CHD91E6DG	CHD91E6WG	150mm	110mm	40mm
CHD91E16DG	CHD91E16WG	175mm	130mm	45mm
CHD91E15DG	CHD91E15WG	175mm	135mm	30mm

KEY FEATURES

IP67 rated | Pole mounting kit accessory | Wall mount holes



BELTRONICA

+44 (0)1638 716101 | sales@camdenboss.com | www.camdenboss.com

We operate a constant improvement policy, our products are subject to change without notice.

Vers 1



268
HANDHELD CASES

292
UNIVERSAL
ENCLOSURES

318
HEAVY DUTY
AND ELECTRICAL
ENCLOSURES

342
DESKTOP AND
INSTRUMENT
CASES

348
DEVELOPMENT
BOARD
ENCLOSURES

367
ROOM SENSOR
ENCLOSURES

370
CUSTOM SIZED
ENCLOSURES

PLASTIC ENCLOSURES

ACCESSORIES

Rubber feet



PART NO.	LENGTH	WIDTH	HEIGHT
CHD91FEET	10mm	10mm	7.5mm

Pole mount kit



PART NO.	LENGTH	WIDTH	HEIGHT	DESCRIPTION
CHD91PLDG	18mm	14mm	9.5mm	Pole mount kit, dark grey
CHD91PLWG	18mm	14mm	9.5mm	Pole mount kit, white grey
CHD91PMDG	28mm	18mm	12mm	Pole mount kit, dark grey
CHD91PMWG	28mm	18mm	12mm	Pole mount kit, white grey

DARK GREY	WHITE GREY	CHD91PLDG	CHD91PLWG	CHD91PMDG	CHD91PMWG
CHD91E7DG	CHD91E7WG	•	•		
CHD91E8DG	CHD91E8WG	•	•		
CHD91E11DG	CHD91E11WG	•	•		
CHD91E12DG	CHD91E12WG	•	•		
CHD91E9DG	CHD91E9WG	•	•		
CHD91E10DG	CHD91E10WG	•	•		
CHD91E13DG	CHD91E13WG	•	•		
CHD91E14DG	CHD91E14WG	•	•		
CHD91E3DG	CHD91E3WG			•	•
CHD91E4DG	CHD91E4WG			•	•
CHD91E1DG	CHD91E1WG			•	•
CHD91E2DG	CHD91E2WG			•	•
CHD91E5DG	CHD91E5WG			•	•
CHD91E6DG	CHD91E6WG			•	•
CHD91E16DG	CHD91E16WG			•	•
CHD91E15DG	CHD91E15WG			•	•

BELTRONICA

+44 (0)1638 716101 | sales@camdenboss.com | www.camdenboss.com

We operate a constant improvement policy, our products are subject to change without notice.

Vers 1



340

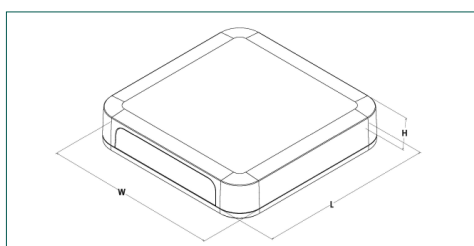
92 Series Comms And Network Enclosure



Product overview

Low profile and deep profile plastic housings with removable end panels. Ideal for communication equipment such as Wi-Fi routers.

- Stylishly designed ABS plastic case with double detachable panels
- Flame resistant ABS (UL94-V0), 30 sizes, available in off-white and dark grey
- Equipped with built-in bosses for PCB mounting
- Suitable for WiFi access points, measuring equipment, control and communication applications
- 92 series has been designed to meet the requirements of IP40



SPECIFICATION	
Materials	Base, top and panel UL94-V0 ABS
Protection class	92 series has been designed to meet the requirements of IP40
Operating temperature	-10°C to +60°C
Standard colours	Dark grey Off-white
Standard unit includes	Base, top and panel 4x self tapping screw 4x rubber feet

DARK GREY	WHITE	LENGTH	WIDTH	HEIGHT
CDE9201DG	CDE9201WH	100mm	150mm	30mm
CDE9202DG	CDE9202WH	100mm	150mm	45mm
CDE9203DG	CDE9203WH	150mm	150mm	30mm
CDE9204DG	CDE9204WH	150mm	150mm	45mm
CDE9205DG	CDE9205WH	135mm	200mm	40mm
CDE9206DG	CDE9206WH	135mm	200mm	60mm
CDE9207DG	CDE9207WH	200mm	200mm	40mm
CDE9208DG	CDE9208WH	200mm	200mm	60mm
CDE9209DG	CDE9209WH	67mm	100mm	22.5mm
CDE9210DG	CDE9210WH	100mm	100mm	22.5mm
CDE9211DG	CDE9211WH	150mm	100mm	22.5mm
CDE9212DG	CDE9212WH	67mm	100mm	35mm
CDE9213DG	CDE9213WH	100mm	100mm	35mm
CDE9214DG	CDE9214WH	150mm	100mm	35mm
CDE9215DG	CDE9215WH	150mm	100mm	55mm
CDE9216DG	CDE9216WH	85mm	125mm	25mm
CDE9217DG	CDE9217WH	125mm	125mm	25mm
CDE9218DG	CDE9218WH	190mm	125mm	25mm
CDE9219DG	CDE9219WH	85mm	125mm	40mm
CDE9220DG	CDE9220WH	125mm	125mm	40mm
CDE9221DG	CDE9221WH	190mm	125mm	40mm
CDE9222DG	CDE9222WH	190mm	125mm	60mm
CDE9223DG	CDE9223WH	120mm	175mm	35mm
CDE9224DG	CDE9224WH	175mm	175mm	35mm
CDE9225DG	CDE9225WH	120mm	175mm	50mm
CDE9226DG	CDE9226WH	175mm	175mm	50mm
CDE9227DG	CDE9227WH	165mm	240mm	42.5mm
CDE9228DG	CDE9228WH	240mm	240mm	42.5mm
CDE9229DG	CDE9229WH	165mm	240mm	60mm
CDE9230DG	CDE9230WH	240mm	240mm	60mm

BELTRONICA

+44 (0)1638 716101 | sales@camdenboss.com | www.camdenboss.com

We operate a constant improvement policy, our products are subject to change without notice.

Vers 3



FM 28614

268
HANDHELD CASES

292
UNIVERSAL
PLASTIC
ENCLOSURES

317
HEAVY DUTY
AND ELECTRICAL
ENCLOSURES

341
DEVELOPMENT
BOARD
ENCLOSURES

369
VERSATILE IOT
AND SENSOR
ENCLOSURES

PLASTIC ENCLOSURES

375

DARK GREY	WHITE	LENGTH	WIDTH	HEIGHT
CDE9231DG	CDE9231WH	200mm	280mm	45mm
CDE9232DG	CDE9232WH	200mm	280mm	65mm
CDE9233DG	CDE9233WH	200mm	280mm	90mm
CDE9234DG	CDE9234WH	225mm	320mm	45mm
CDE9235DG	CDE9235WH	225mm	320mm	65mm
CDE9236DG	CDE9236WH	225mm	320mm	90mm

KEY FEATURES

Flame resistant ABS | 36 sizes available | Removable end panels



BELTRONICA

+44 (0)1638 716101 | sales@camdenboss.com | www.camdenboss.com

We operate a constant improvement policy, our products are subject to change without notice.

Vers 1



FM 28614

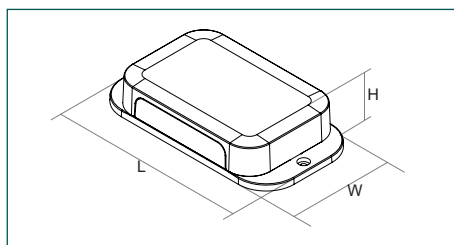
94 Series Flanged Comms And Network Enclosure



Product overview

Flanged low profile and deep profile plastic housings with removable end panels. Ideal for surface mounted communication equipment such as Wi-Fi routers.

- Stylishly designed ABS plastic case with double detachable panels
- Flanged sides for surface or wall mounting
- Flame resistant ABS (UL94-V0), 24 sizes, available in off-white
- Equipped with built-in bosses for PCB mounting
- Suitable for WiFi access points, measuring equipment, control and communication applications
- 94 series has been designed to meet the requirements of IP40



SPECIFICATION	
Materials	ABS UL94-V0
Protection class	94 series has been designed to meet the requirements of IP40
Operating temperature	-10°C to +60°C
Standard colours	Off-white
Standard unit includes	Top cover, flanged base x2 panels x4 self tapping screws

PART NO.	WIDTH	LENGTH	HEIGHT
CDE9401WH	67.3mm	124.3mm	22.5mm
CDE9402WH	100.3mm	124.3mm	22.5mm
CDE9403WH	67.3mm	124.3mm	35mm
CDE9404WH	100.3mm	124.3mm	35mm
CDE9405WH	85.3mm	149.3mm	25mm
CDE9406WH	125.3mm	155.3mm	25mm
CDE9407WH	85.3mm	149.3mm	40mm
CDE9408WH	125.3mm	155.3mm	40mm
CDE9409WH	100.4mm	180.4mm	30mm
CDE9410WH	150.4mm	180.4mm	30mm
CDE9411WH	100.4mm	180.4mm	45mm
CDE9412WH	150.4mm	205.4mm	45mm
CDE9413WH	120.4mm	205.4mm	35mm
CDE9414WH	175.4mm	205.4mm	35mm
CDE9415WH	120.4mm	205.4mm	50mm
CDE9416WH	175.4mm	205.4mm	50mm
CDE9417WH	135.5mm	230.5mm	40mm
CDE9418WH	200.5mm	230.5mm	40mm
CDE9419WH	135.5mm	230.5mm	60mm
CDE9420WH	200.5mm	230.5mm	60mm
CDE9421WH	165.5mm	270.5mm	42.5mm
CDE9422WH	240.5mm	270.5mm	42.5mm
CDE9423WH	165.5mm	270.5mm	60mm
CDE9424WH	240.5mm	270.5mm	60mm

BELTRONICA

+44 (0)1638 716101 | sales@camdenboss.com | www.camdenboss.com

We operate a constant improvement policy, our products are subject to change without notice.

Vers 3



FM 28614

268
HANDHELD CASES

292
UNIVERSAL
PLASTIC
ENCLOSURES

317
HEAVY DUTY
AND ELECTRICAL
ENCLOSURES

341
DEVELOPMENT
BOARD
ENCLOSURES

369
VERSATILE IOT
AND SENSOR
ENCLOSURES

PLASTIC ENCLOSURES

377

PART NO.	WIDTH	LENGTH	HEIGHT
CDE9425WH	200.5mm	310.5mm	45mm
CDE9426WH	200.5mm	310.5mm	65mm
CDE9427WH	200.5mm	310.5mm	90mm
CDE9428WH	225.5mm	350.5mm	45mm
CDE9429WH	225.5mm	350.5mm	70mm
CDE9430WH	225.5mm	350.5mm	100mm

KEY FEATURES

Flame resistant ABS | 24 sizes available | Flanged for wall mounting



BELTRONICA

+44 (0)1638 716101 | sales@camdenboss.com | www.camdenboss.com

We operate a constant improvement policy, our products are subject to change without notice.

Vers 2



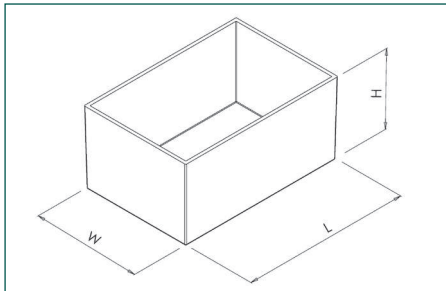
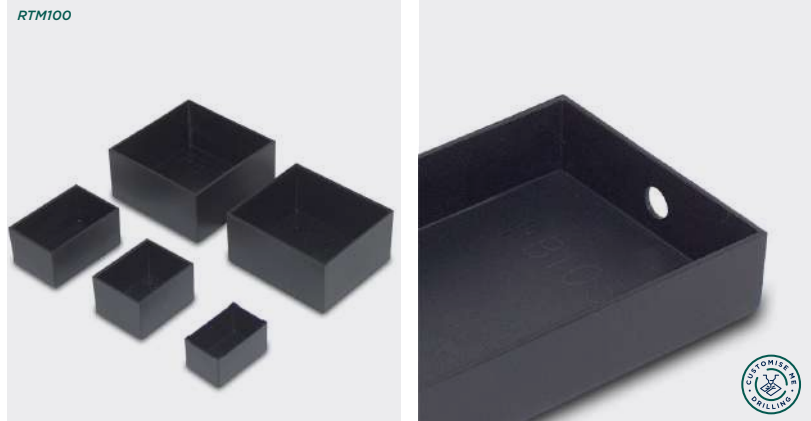
FM 28614

100 series open potting boxes

Product overview

Comprehensive range of open top potting boxes. Maximum protection against shock, chemicals, moisture and temperature.

- Encapsulate and protect electronic components
- Moulded in ABS
- Highly resistant to most chemicals
- High rigidity and impact strength
- Compliant with water absorption specifications to DIN53495



SPECIFICATION	
Materials	ABS UL94-HB as standard, UL94-V0 to order
Operating temperature	-20°C to +80°C
Standard colours	Black
Standard unit includes	Box Supplied in packs of 10

BLACK	LENGTH	WIDTH	HEIGHT	WALL THICKNESS
RTM101-BLK	25mm	20mm	15mm	1mm
RTM102-BLK	30mm	20mm	15mm	1mm
RTM103-BLK	40mm	35mm	20mm	1mm
RTM104-BLK	50mm	40mm	30mm	1mm
RTM105-BLK	75mm	50mm	35mm	1.4mm
RTM106-BLK	100mm	60mm	25mm	1.5mm
RTM107-BLK	40mm	40mm	20mm	1mm
RTM108-BLK	50mm	50mm	30mm	1mm
RTM109-BLK	11mm	11mm	9mm	0.5mm
RTM110-BLK	22mm	14mm	9mm	0.5mm
RTM111-BLK	30mm	30mm	20mm	1mm
RTM112-BLK	25mm	25mm	25mm	1mm
RTM113-BLK	40mm	40mm	30mm	1mm
RTM114-BLK	75mm	75mm	40mm	1mm
RTM115-BLK	89mm	64mm	33mm	1.5mm
RTM116-BLK	100mm	50mm	25mm	1.3mm

KEY FEATURES

Protection against shock | Moulded in ABS | High-impact strength

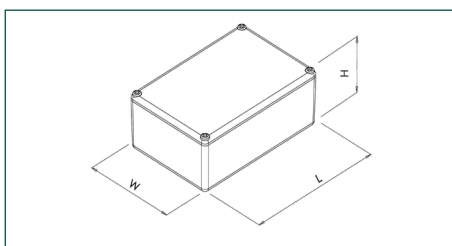


200 series small ABS boxes with lid - UL94-HB

Product overview

Extensive range of ABS boxes for electrical components. Supplied with lid.

- Encapsulate and protect electronic components
- Ideal for partial or complete potting
- Moulded in ABS, UL94-HB
- Lid mounted by 4x fixing screws
- Highly resistant to most chemicals
- High rigidity and impact strength



SPECIFICATION

Materials	ABS UL94-HB
Operating temperature	-10°C to +60°C
Standard colours	Black and white
Standard unit colours	Lid and base 4x screws Packs of 5

BLACK	WHITE	LENGTH	WIDTH	HEIGHT
RX2002/S-5	-	23mm	16mm	11mm
RX2003/S-5	-	26mm	18mm	13mm
RX2004/S-5	-	29mm	21mm	14mm
RX2005/S-5	RX2005/S-5-WH	34mm	24mm	16mm
RX2KL03/S-5	-	37mm	18mm	13mm
RX2006/S-5	RX2006/S-5-WH	40mm	28mm	18mm
RX2KL04/S-5	-	42mm	21mm	15mm
RX2007/S-5	RX2007/S-5-WH	46mm	32mm	20mm
RX2KL05/S-5	-	49mm	24mm	16mm
RX2008/S-5	RX2008/S-5-WH	54mm	38mm	23mm
RX2KL06/S-5	-	58mm	28mm	18mm
RX2009/S-5	RX2009/S-5-WH	64mm	44mm	25mm
RX2KL07/S-5	-	67mm	32mm	20mm
RX2010/S-5	RX2010/S-5-WH	74mm	50mm	28mm

KEY FEATURES

Chemical resistant | High impact strength | Moulded in ABS



BELTRONICA

+44 (0)1638 716101 | sales@camdenboss.com | www.camdenboss.com

We operate a constant improvement policy, our products are subject to change without notice.

Vers 1



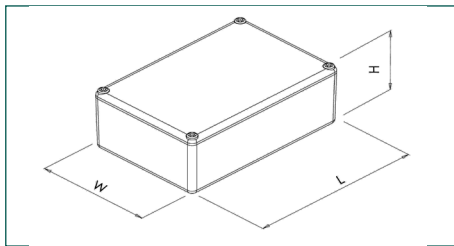
FM 29814

200 series small ABS boxes with lid - UL94-V0

Product overview

ABS UL94-V0 small ABS enclosures

- Encapsulate and protect electronic components
- Ideal for partial or complete potting
- Moulded in ABS - UL94-V0
- Lid mounted by 4x fixing screws
- Highly resistant to most chemicals
- High rigidity and impact strength



SPECIFICATION

Materials	ABS UL94-V0
Operating temperature	-10°C to +60°C
Standard colours	Black and white
Standard unit colours	Lid and base 4x screws Packs of 5

BLACK	WHITE	LENGTH	WIDTH	HEIGHT
RX2005/S-FB-5	RX2005/S-FB-5-WH	34mm	24mm	16mm
RX2006/S-FB-5	RX2006/S-FB-5-WH	40mm	28mm	18mm
RX2007/S-FB-5	RX2007/S-FB-5-WH	46mm	32mm	20mm
RX2008/S-FB-5	RX2008/S-FB-5-WH	54mm	38mm	23mm
RX2009/S-FB-5	RX2009/S-FB-5-WH	64mm	44mm	25mm
RX2010/S-FB-5	RX2010/S-FB-5-WH	74mm	50mm	28mm

KEY FEATURES

Chemical resistant | Ideal for potting | Moulded in ABS- UL94-V0

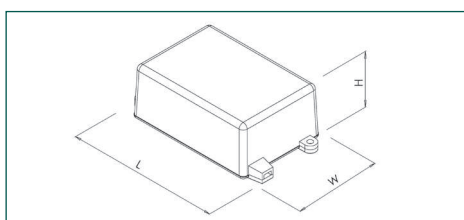


400 series lugged cable entry boxes

Product overview

ABS boxes with mounting lugs and moulded cable entries. Supplied with flush-fitting lid.

- Moulded in ABS UL94-HB
- Press-fit flush lid (screw mounted lid 400-019)
- Lugs provide added security once mounted by restricting access
- 1x or 2x moulded cable entries (see table)
- Label recess in base (400-019 only)
- Highly resistant to most chemicals
- High-rigidity and impact strength
- Compliant with water absorption to DIN53495
- Maximum protection against shock, chemicals, moisture and temperature



SPECIFICATION		
Materials	ABS	
Operating temperature	Resistant to continuous operating temperatures up to 70°C	
Standard colours	Black	
Standard unit includes	400-019	Lid and base
	400-011 to 400-017	2x fixing screws Lid and base



BLACK	CABLE INLETS	LENGTH	WIDTH	HEIGHT
400-011	3	65mm	38mm	22mm
400-013	3	65mm	38mm	27mm
400-015	3	72mm	44mm	22mm
400-017	3	72mm	44mm	27mm
400-019	2	82mm	57mm	33mm

KEY FEATURES

Moulded in ABS, UL94-HB | Highly resistant | High-impact strength



BELTRONICA

+44 (0)1638 716101 | sales@camdenboss.com | www.camdenboss.com

We operate a constant improvement policy, our products are subject to change without notice.

Vers 1

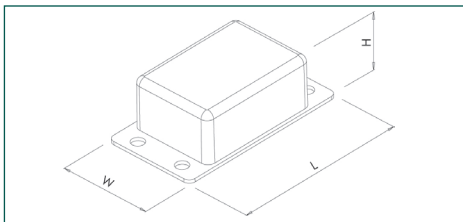
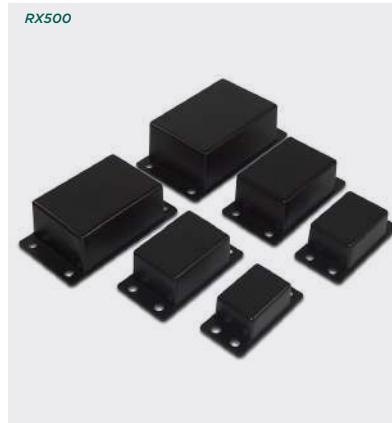


500 series small flanged ABS boxes

Product overview

A comprehensive range of ABS boxes with flush-fitting lid and flanged body for partial or complete potting of electronic components.

- Moulded in ABS UL94-HB
- Flush-fitting lid mounted by 4x fixing screws
- Lugs provide added security once mounted by restricting access
- Flanged body with 4x mounting holes
- Ideal for partial or complete potting
- Compliant with water absorption specifications to DIN53495
- High-rigidity and impact strength
- Highly resistant to most chemicals



SPECIFICATION

Materials	Lid and base ABS, UL94-HB
Operating temperature	-20°C to +80°C
Standard colours	Black
Standard unit includes	Lid and base 4x screws

*UL94-V0 to order

BLACK	LENGTH (WITHOUT FLANGE)	LENGTH (WITH FLANGE)	WIDTH	HEIGHT
RX505A	36mm	56mm	26mm	17mm
RX506A	42mm	62mm	30mm	19mm
RX507A	48mm	68mm	34mm	21mm
RX508A	56mm	76mm	40mm	24mm
RX509A	66mm	86mm	46mm	26mm
RX510A	76mm	96mm	52mm	29mm

KEY FEATURES

Moulded in ABS, UL94-HB | Flanged body | Flush-fitting lid



268
HANDHELD CASES

292
UNIVERSAL ENCLOSURES

318
HEAVY DUTY AND ELECTRICAL ENCLOSURES

342
DESKTOP AND INSTRUMENT CASES

348
DEVELOPMENT BOARD ENCLOSURES

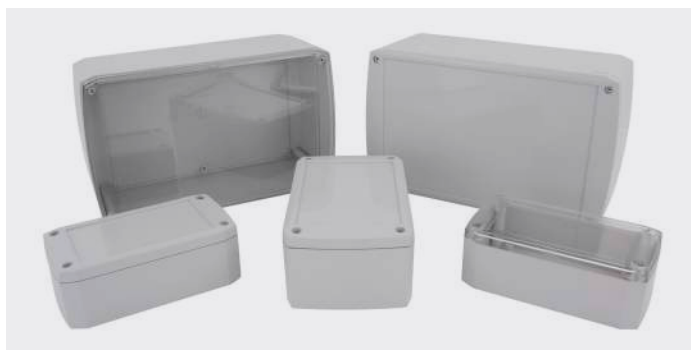
367
VERSATILE IOT AND SENSOR ENCLOSURES

370
CUSTOM SIZED ENCLOSURES

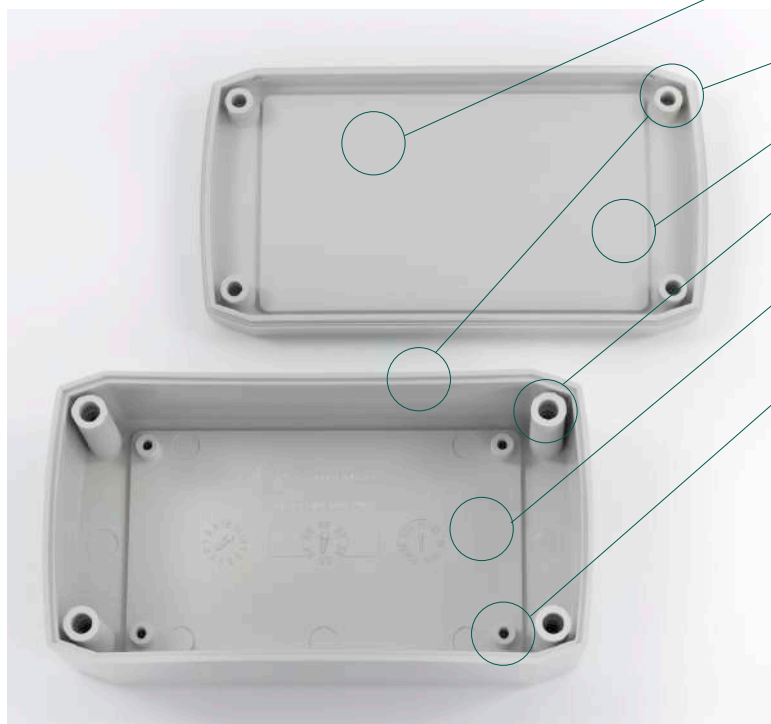
1100 Series Recessed Electronics Enclosure

Product overview

The 1100 Series Recessed Electronics Enclosure is 100% recyclable and manufactured in the UK. Designed with aesthetically pleasing external bevelled edges and smooth curved ends and straight sides, the enclosure can be used for a range of user facing electronics devices and technology in industries such as industrial, medical and IoT. The UL94-V0 rated ABS enclosure is available with either a solid grey or transparent polycarbonate lid. Both options have a recess on the top and the base to allow for membranes, keypads, overlays and digital printing. If you are looking for a high quality functional enclosure, look no further!



Key features



Two recessed sides

1.2mm recess in both the lid and base for product labels and overlays

Modern aesthetic

Bevelled edges and curved 2.5mm side walls

Two lid options

Select from either a solid grey or transparent lid

Fixing pillars

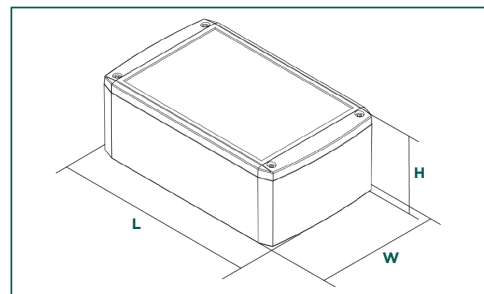
Designed to take thread forming screws (included). No inserts allows for easy recycling!

Deep profile

Maximises the internal volume for increased component and PCB space

PCB mounting

Four mounting points in the base of the enclosure



Enclosure dimensions

SIZE			EXTERNAL DIMENSIONS			INTERNAL DIMENSIONS			WALL THICKNESS
	SOLID LID	TRANSPARENT LID	LENGTH	WIDTH	HEIGHT	LENGTH	WIDTH	HEIGHT	
Size 1	CSACST001	CSACTT001	90mm	50mm	35mm	85mm	45mm	2.5mm	2.5mm
Size 2	CSACST002	CSACTT002	110mm	60mm	40mm	105mm	55mm	32.5mm	2.5mm
Size 3	CSACST003	CSACTT003	125mm	75mm	50mm	120mm	70mm	42.5mm	2.5mm
Size 4	CSACST004	CSACTT004	155mm	95mm	60mm	150mm	90mm	52.5mm	2.5mm
Size 5	CSACST005	CSACTT005	190mm	115mm	75mm	185mm	150mm	67.5mm	2.5mm
Size 6	CSACST006	CSACTT006	220mm	140mm	90mm	215mm	135mm	82.5mm	2.5mm

PCB sizes positions

SIZE	MOUNTING POSITION	MAX LENGTH	MAX WIDTH	MOUNTING HOLE SPACING
Size 1	Enclosure base	82mm	43mm	58 x 30mm
Size 2	Enclosure base	101.5mm	52.5mm	75 x 40mm
Size 3	Enclosure base	114.5mm	67.5mm	90 x 55mm
Size 4	Enclosure base	143mm	88mm	118 x 75mm
Size 5	Enclosure base	177mm	108mm	152 x 95mm
Size 6	Enclosure base	205mm	132.5mm	180 x 120mm



BELTRONICA

+44 (0)1638 716101 | sales@camdenboss.com | www.camdenboss.com

We operate a constant improvement policy, our products are subject to change without notice.

Vers 2



FM 28614

268
HANDHELD CASES

292
UNIVERSAL
ENCLOSURES

318
HEAVY DUTY
AND ELECTRICAL
ENCLOSURES

342
DESKTOP AND
INSTRUMENT
CASES

348
DEVELOPMENT
BOARD
ENCLOSURES

367
VERSATILE IOT
AND SENSOR
ENCLOSURES

370
CUSTOM SIZED
ENCLOSURES

PLASTIC ENCLOSURES



RANGE SPECIFICATION

STANDARD UNIT INCLUDES	1 x base, 1 x lid, 3mm x 20mm thread-forming screw x4				
MATERIALS	Enclosure	UL94-V0 ABS (gloss finish)			
	Solid lid	UL94-V0 ABS (gloss finish)			
	Transparent lid	UL94-V0 polycarbonate			
	Thread-forming screws	Zinc Plated Steel			
COLOURS	Grey	RAL7047			
COMPLIANCE	RoHS compliant				
IP RATING	IP54				
OPERATING TEMPERATURE	Base	-5°C to 80°C			
	Grey lid	-5°C to 80°C			
	Transparent lid	-5°C to 120°C			
TEST RESULTS	Standard	Test	Result	Test report	
	UL94	Flammability	UL94-V0	TR113	
	EN62262	Impact test	IK06	TR111	
	EN60529	Ingress protection	IP54	N/A	
SCREW TORQUE	Lid	0.3Nm			
	PCB	0.3Nm			
PURCHASING INFORMATION	Country of origin	Great Britain (GB)			
	Commodity code	39231010			
	Weight	Size 1:	54g	Size 4:	185g
		Size 2:	76g	Size 5:	267g
		Size 3:	110g	Size 6:	325g
Enclosure type	Universal				
OPTIONS	For alternative colours and materials MOQs will apply.				

Potential industries/ applications

The 1100 Series Recessed Electronics Enclosure is ideal for use as HVAC, industrial technology, IoT, IIoT, solar controllers, sensors and monitoring equipment, desktop devices, lighting control, medical, retail, domestic and much more...

The image below represents the enclosure used in an industrial setting, operating as a flow pressure device with a smart control panel.



Accessories



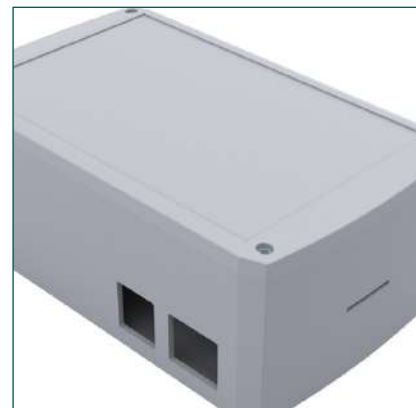
DIN Rail Mount Bracket
(CDR-Bracket)



Universal Wall Mount Bracket
(CBWM-10xx)

Customisation options

Elevate your enclosure to the next level with our in-house customisation services. These include digital printing, screen printing, machining / drilling and engraving.



BELTRONICA

+44 (0)1638 716101 | sales@camdenboss.com | www.camdenboss.com

We operate a constant improvement policy, our products are subject to change without notice.

Vers 1



FM 28614

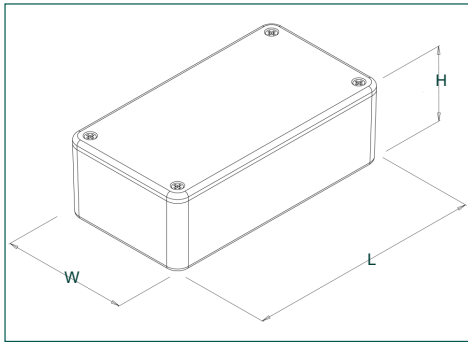
299

2000 series general purpose ABS cases

Product overview

Extensive range of electronic enclosures with solid ABS lid, designed for a broad range of applications.

- Lid and base moulded in ABS
- Brass inserts in base for repetitive removal of the lid (*except for 2000, 2007 or 2008 sizes)
- High gloss polished finish
- Excellent properties for machining
- Integral mounting guides to accept 1.6mm PCBs
- Available in other colours on request (subject to MOQ)
- 2000 series has been designed to meet the requirements of IP54



SPECIFICATION	
Materials	Lid and base high impact ABS UL94-HB
Operating temperature	-5°C to 80°C
Protection class	2000 series has been designed to meet the requirements of IP54
Standard colours	Grey (GY), black (BLK), white (WH), orange (ORG)
Standard unit includes	Base and lid Lid screws as below Required torque setting 10 cNm (0.1Nm)
Options (MOQs apply)	Different colours / materials / UL94-V0
Available accessories	BIM adapter (PCB adapter for horizontal PCB mounting) BIM stap (only fits BIM2006/16)

GREY	BLACK	WHITE	ORANGE	SCREWS	LENGTH	WIDTH	HEIGHT
*BIM2008/18-GY/GY	*BIM2008/18-BLK/BLK	*BIM2008/18-WH/WH	*BIM2008/18-ORG/ORG	No2 x 5/16 CSK self tapping x 4pcs	55mm	55mm	42mm
*BIM2000/10-GY/GY	*BIM2000/10-BLK/BLK	*BIM2000/10-WH/WH	*BIM2000/10-ORG/ORG	No2 x 5/16 CSK self tapping x 4pcs	75mm	50mm	27mm
BIM2001/11-GY/GY	BIM2001/11-BLK/BLK	BIM2001/11-WH/WH	BIM2001/11-ORG/ORG	M3 x 10 CSK pozi screws x 4pcs	85mm	56mm	39mm
BIM2002/12-GY/GY	BIM2002/12-BLK/BLK	BIM2002/12-WH/WH	BIM2002/12-ORG/ORG	M3 x 10 CSK pozi screws x 4pcs	100mm	50mm	25mm
BIM2003/13-GY/GY	BIM2003/13-BLK/BLK	BIM2003/13-WH/WH	BIM2003/13-ORG/ORG	M3 x 10 CSK pozi screws x 4pcs	112mm	62mm	31mm
*BIM2007/17-GY	BIM2007/17-BLK	BIM2007/17-WH/WH	-	No2 x 5/16 CSK self tapping x 4pcs	112mm	62mm	31mm
BIM2004/14-GY/GY	BIM2004/14-BLK/BLK	BIM2004/14-WH/WH	BIM2004/14-ORG/ORG	M3 x 10 CSK pozi screws x 4pcs	120mm	65mm	40mm
RTM2030/30-GY	RTM2030/30-BLK	RTM2030/30-WH/WH	-	M3 x 10 CSK pozi screws x 4pcs	142mm	80mm	30mm
BIM2005/15-GY/GY	BIM2005/15-BLK/BLK	BIM2005/15-WH	BIM2005/15-ORG/ORG	M3 x 10 CSK pozi screws x 4pcs	150mm	80mm	50mm
BIM2006/16-GY/GY	BIM2006/16-BLK/BLK	BIM2006/16-WH/WH	BIM2006/16-ORG/ORG	M3 x 10 CSK pozi screws x 6pcs	190mm	110mm	60mm
BIM2009/19-GY/GY	BIM2009/19-BLK/BLK	BIM2009/19-WH/WH	-	M3 x 10 CSK pozi screws x 8pcs	250mm	200mm	65mm

*Brass inserts not included in 2000, 2007 or 2008 sizes

KEY FEATURES

Polished finish | Horizontal PCB mounting | Moulded in ABS



PLASTIC ENCLOSURES

BELTRONICA

+44 (0)1638 716101 | sales@camdenboss.com | www.camdenboss.com

We operate a constant improvement policy, our products are subject to change without notice.

Vers 4

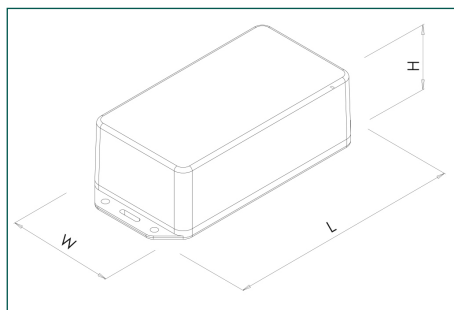


2000 series general purpose ABS cases - flanged

Product overview

For applications requiring surface or wall mounting and protection against dust and water ingress. Provides extra security once mounted by restricting access to the screws in the lid.

- Flanged lid and base moulded in ABS
- High gloss polished finish
- Brass inserts in base for repetitive removal of the lid (*except for 2000 or 2008 sizes)
- Excellent properties for machining
- Integral mounting guides to accept 1.6mm PCBs
- Plastic standoffs in lid for PCB mounting
- Available in other colours on request (subject to MOQ)
- 2000 series flanged has been designed to meet the requirements of IP54 and IP65 with gasket accessory



SPECIFICATION	
Materials	Lid and base high impact ABS UL94-HB
Operating temperature	-5°C to 80°C
Protection class	2000 series flanged has been designed to meet the requirements of IP54 or additionally, IP65 with the gasket accessory
Standard colours	Grey (GY) and black (BLK)
Standard unit includes	Base and flanged lid Lid screws as below Required torque setting 10 cNm (0.1Nm)
Options (MOQs apply)	Different colours / materials / UL94-V0
Available accessories	IP65 gasket kits BIM adapter (PCB adapter for horizontal PCB mounting) BIM stap (only fits BIM2006/16)

GREY	BLACK	SCREWS	LENGTH	WIDTH	HEIGHT
*BIM2008/IP-GY	*BIM2008/IP-BLK	No2 x 5/16 CSK self tapping x 4pcs	78.3mm	57.3mm	43mm
*BIM2000/IP-GY	*BIM2000/IP-BLK	No2 x 5/16 CSK self tapping x 4pcs	99mm	52mm	28mm
BIM2001/IP-GY	BIM2001/IP-BLK	M3 x 10 CSK pozi screws x 4pcs	105mm	58mm	39.5mm
BIM2002/IP-GY	BIM2002/IP-BLK	M3 x 10 CSK pozi screws x 4pcs	123mm	52mm	25.5mm
BIM2003/IP-GY	BIM2003/IP-BLK	M3 x 10 CSK pozi screws x 4pcs	136mm	64.6mm	31.5mm
BIM2004/IP-GY	BIM2004/IP-BLK	M3 x 10 CSK pozi screws x 4pcs	143.3mm	67.3mm	40.3mm
BIM2030/IP-GY	BIM2030/IP-BLK	M3 x 10 CSK pozi screws x 4pcs	167mm	84mm	31mm
BIM2005/IP-GY	BIM2005/IP-BLK	M3 x 10 CSK pozi screws x 4pcs	173.4mm	82.4mm	50.5mm
BIM2006/IP-GY	BIM2006/IP-BLK	M3 x 10 CSK pozi screws x 6pcs	213mm	112.3mm	60.7mm

*Brass inserts not included in 2000 or 2008 sizes

IP65 gasket kits

PART NO.	DESCRIPTION
SA00	2000/IP gasket kit
SA1-5	2001/IP, 2002/IP, 2003/IP, 2004/IP, 2005/IP, 2030/IP gasket kit
SA6	2006/IP gasket kit
SA8	2008/IP gasket kit

KEY FEATURES

IP65 flanged lid | PCB mounting | Base moulded in ABS

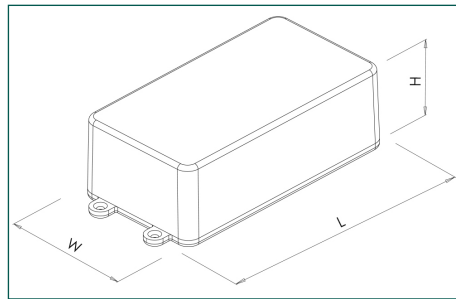
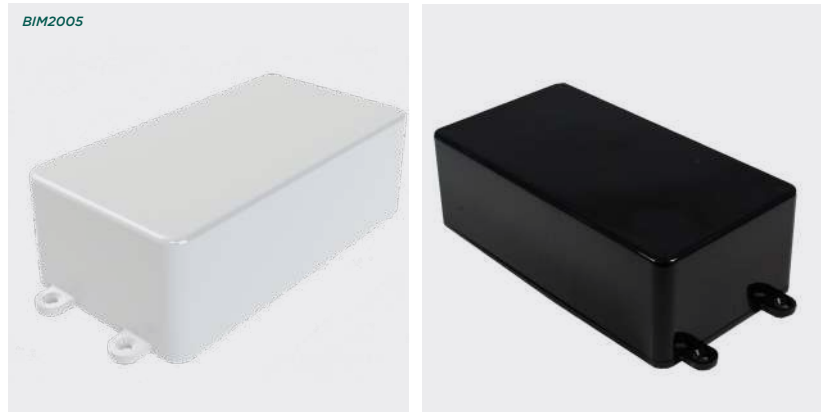


2000 series general purpose ABS cases - lugged lid

Product overview

Electronic enclosures with lugged lid, for a broad range of surface mounting applications. Provides extra security once mounted by restricting access to the screws in the lid.

- Lugged lid and base moulded in ABS
- High gloss polished finish
- Brass inserts in base for repetitive removal of the lid
- Excellent properties for machining
- Integral mounting guides to accept 1.6mm PCBs
- Available in other colours on request (subject to MOQ)
- 2000 series has been designed to meet the requirements of IP54



SPECIFICATION	
Materials	Lid and base high impact ABS UL94-HB
Operating temperature	-5°C to 80°C
Protection class	2000 series has been designed to meet the requirements of IP54
Standard colours	Grey (GY) Black (BLK) White (WH)
Standard unit includes	Base and lugged lid Lid screws as below Required torque setting 10 cNm (0.1Nm)
Options (MOQs apply)	Different colours / materials / UL94-V0
Available accessories	BIM adapter (PCB adapter for horizontal PCB mounting)

GREY	BLACK	WHITE	SCREWS	LENGTH	WIDTH	HEIGHT
BIM2003/LUG-GY/GY	BIM2003/LUG-BLK/BLK	BIM2003/LUG-WH/WH	M3 x 10 CSK pozi screws x 4pcs	131.5mm	62mm	31mm
BIM2004/LUG-GY/GY	BIM2004/LUG-BLK/BLK	BIM2004/LUG-WH/WH	M3 x 10 CSK pozi screws x 4pcs	139mm	65mm	40mm
BIM2005/LUG-GY/GY	BIM2005/LUG-BLK/BLK	BIM2005/LUG-WH/WH	M3 x 10 CSK pozi screws x 4pcs	171.5mm	80mm	50mm

KEY FEATURES

Polished finish | Horizontal PCB mounting | Moulded in ABS

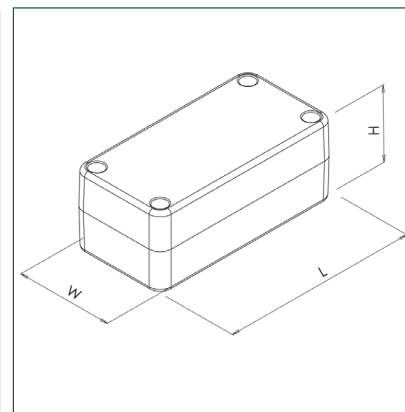


2000 series general purpose ABS cases - deep profile

Product overview

Multi-purpose enclosures for application where extra height is required. The deep profile 2000 series provides increased internal volume.

- Deep profile lid and base moulded in ABS
- Brass inserts in base for repeated removal of the lid
- Excellent properties for machining
- Integral mounting guides in base to accept 1.6mm PCB's
- Available in other colours on request (subject to MOQ)
- 2000 series has been designed to meet the requirements of IP54



SPECIFICATION	
Materials	Lid and base high impact ABS UL94-HB
Operating temperature	-5°C to 80°C
Protection class	2000 series has been designed to meet the requirements of IP54
Standard colours	Grey (GY), black (BLK), white (WH)
Standard unit includes	Base and deep profile lid Lid screws as below Required torque setting 10 cNm (0.1Nm)
Options (MOQs apply)	Different colours / materials / UL94-V0
Available accessories	BIM adapter (PCB adapter for horizontal PCB mounting) BIM stap (only fits BIM2006/16)

GREY	BLACK	WHITE	SCREWS	LENGTH	WIDTH	HEIGHT
BIM2002/22-GY/GY	BIM2002/22-BLK/BLK	BIM2002/22-WH/WH	M3 x 10 CSK pozi screws x 4pcs	100mm	50mm	40mm
BIM2004/24-GY/GY	BIM2004/24-BLK/BLK	BIM2004/24-WH/WH	M3 x 10 CSK pozi screws x 4pcs	120mm	65mm	60mm
BIM2005/25-GY/GY	BIM2005/25-BLK/BLK	BIM2005/25-WH/WH	M3 x 10 CSK pozi screws x 4pcs	150mm	80mm	76mm
BIM2006/26-GY/GY	BIM2006/26-BLK/BLK	BIM2006/26-WH/WH	M3 x 10 CSK pozi screws x 6pcs	190mm	110mm	90mm

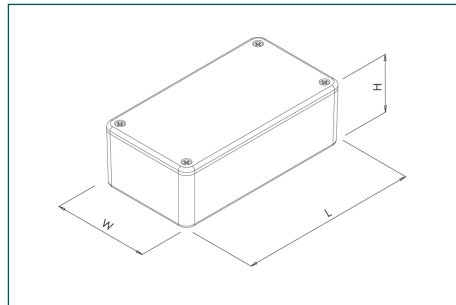
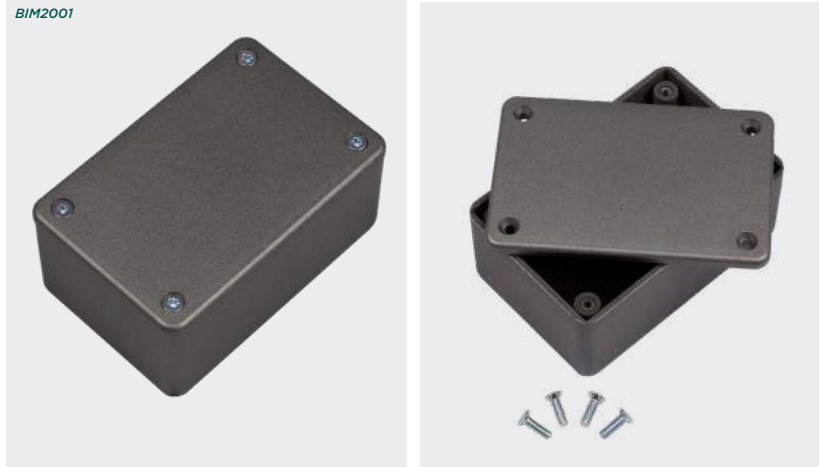
2000 series general purpose ABS cases - EMC

Product overview

A range of enclosures with conductive coating for enhanced electro-magnetic compatibility (EMC).

- Lid and base moulded in ABS
- Graphite grey paint finish
- Conductive coating
- Brass inserts in base for repetitive removal of the lid (*except for 2000, 2007 or 2008 sizes)
- Excellent properties for machining
- Integral mounting guides to accept 1.6mm PCBs
- 2000 series has been designed to meet the requirements of IP54

BIM2001



SPECIFICATION	
Materials	Lid and base high impact ABS UL94-HB
Operating temperature	-5°C to 80°C
Protection class	2000 series has been designed to meet the requirements of IP54
Standard colours	Graphite grey
Standard unit includes	Base and lid Lid screws as below Required torque setting 10 cNm (0.1Nm)
Options (MOQs apply)	Different colours / materials / UL94-V0
Available accessories	BIM adapter (PCB adapter for horizontal PCB mounting) BIM stap (only fits BIM2006/16)

GREY	SCREWS	LENGTH	WIDTH	HEIGHT
*BIM2008/18-EMI/RFI	No2 x 5/16 CSK self tapping x 4pcs	55mm	55mm	42mm
*BIM2000/10-EMI/RFI	No2 x 5/16 CSK self tapping x 4pcs	75mm	50mm	27mm
BIM2001/11-EMI/RFI	M3 x 10 CSK pozi screws x 4pcs	85mm	56mm	39mm
BIM2002/12-EMI/RFI	M3 x 10 CSK pozi screws x 4pcs	100mm	50mm	25mm
BIM2003/13-EMI/RFI	M3 x 10 CSK pozi screws x 4pcs	112mm	62mm	31mm
*BIM2007/17-EMI/RFI	No2 x 5/16 CSK self tapping x 4pcs	112mm	62mm	31mm
BIM2004/14-EMI/RFI	M3 x 10 CSK pozi screws x 4pcs	120mm	65mm	40mm
BIM2005/15-EMI/RFI	M3 x 10 CSK pozi screws x 4pcs	150mm	80mm	50mm
BIM2006/16-EMI/RFI	M3 x 10 CSK pozi screws x 6pcs	190mm	110mm	60mm
BIM2009/19-EMI/RFI	M3 x 10 CSK pozi screws x 8pcs	250mm	200mm	65mm

*Brass inserts not included in 2000, 2007 or 2008 sizes

KEY FEATURES

Conductive graphite paint finish | Shielded | Moulded in ABS



ACCESSORIES

BIM adapter

- For horizontal PCB mounting
- Suitable for all BIM2000 series enclosures

PART NO.	DESCRIPTION
BIM/ADAPTER	BIM adapter (PCB adapter for horizontal PCB mounting)
BIM STRAP BLK	BIM Strap for BIM2006 black
BIM STRAP GY	BIM Strap for BIM2006 grey
BIM STRAP ORG	BIM Strap for BIM2006 orange
BIM STRAP WH	BIM Strap for BIM2006 white



BELTRONICA

+44 (0)1638 716101 | sales@camdenboss.com | www.camdenboss.com

We operate a constant improvement policy, our products are subject to change without notice.

Vers 4



FM 20614

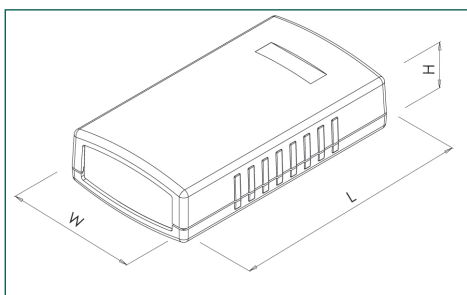
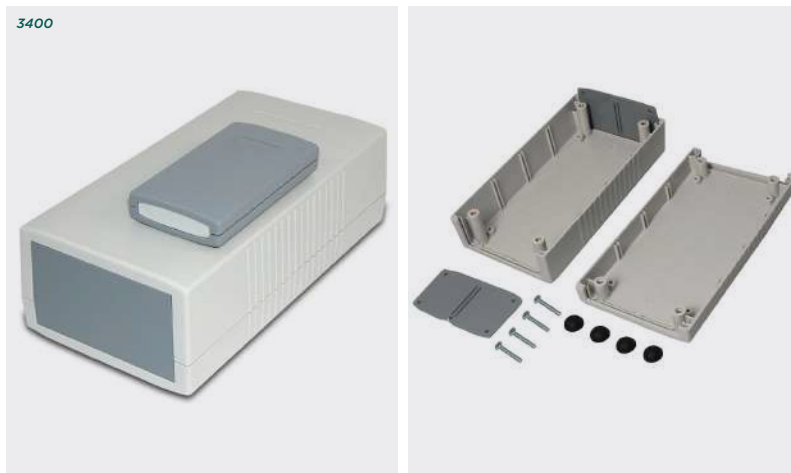
PLASTIC ENCLOSURES

3400 Series Multipurpose Electronic Equipment Enclosure

Product overview

Versatile range of end-panel four-part construction enclosures, available in four lengths and nine heights.

- Lid, base and end panels moulded in high impact UL94-HB or UL94-V0 ABS
- Integral mounting guides in U-shell lid and base for vertical PCB mounting
- Bosses in base and lid for horizontal PCB mounting
- Ergonomically curved lid and base
- Four part construction for complete access and fitting of electronics
- Four M3 or self-tapping screws countersunk into base and fixed into lid
- Textured non-scratch surface
- 3400 series has been designed to meet the requirements of IP54



SPECIFICATION

Materials	UL94-V0 or high impact ABS
Protection class	3400 series has been designed to meet the requirements of IP54
Standard colours	UL94-V0- Lid and base dark grey similar to RAL 7040, end panels light grey High impact UL94-HB - Lid and base light grey similar to RAL 9002, end panels dark grey
Fixing styles	Self-tapping- 3400-30 to 3400-34 M3 brass inserts- 3400-36 to 3400-59
Standard unit includes	Base and lid 2x end panels 4x fixing screws 4x rubber feet / screw covers

HIGH IMPACT ABS - UL94-HB	FLAME RETARDANT ABS - UL94-V0	LENGTH	WIDTH	HEIGHT
3400-30	3400-01	90mm	50mm	16mm
3400-31	3400-03	90mm	50mm	24mm
3400-34	3400-04	90mm	50mm	32mm
3400-36	3400-07	120mm	60mm	30mm
3400-38	3400-10	120mm	60mm	40mm
3400-40	3400-12	120mm	60mm	50mm
3400-43	3400-13	150mm	80mm	30mm
3400-45	3400-16	150mm	80mm	45mm
3400-47	3400-18	150mm	80mm	60mm
3400-52	3400-21	190mm	100mm	40mm
3400-54	3400-22	190mm	100mm	60mm
3400-59	3400-25	190mm	100mm	80mm

KEY FEATURES

Moulded in ABS | Attractive curved design | PCB mounting



BELTRONICA

+44 (0)1638 716101 | sales@camdenboss.com | www.camdenboss.com

We operate a constant improvement policy, our products are subject to change without notice.

Vers 2



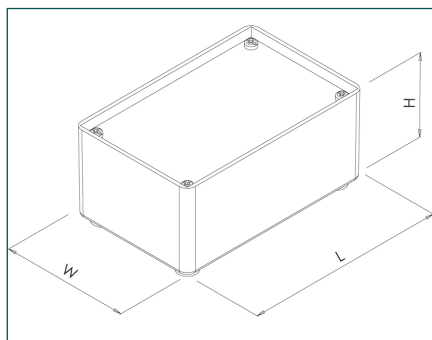
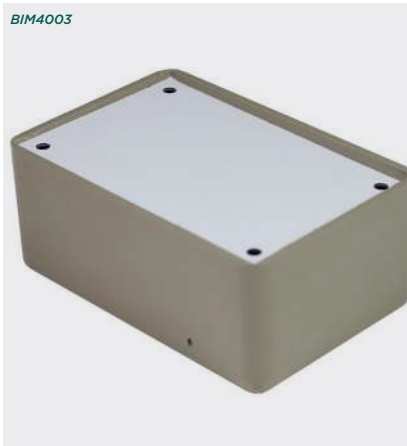
FM 28614

4000 series panel lid cases

Product overview

ABS boxes with recessed lid, designed for ease of customisation, available in three sizes.

- Aluminium lid mounted by four M3 machine screws
- Brass inserts in base for repeated removal of the lid
- Polished finish for ease of cleaning
- Rubber feet provided as standard
- Both the lid and box have excellent properties for machining
- Integral mounting guides to accept 1.6mm PCBs
- 4000 series has been designed to meet the requirements of IP54



SPECIFICATION	
Materials	Base high impact ABS Lid 1mm aluminium
Operating temperature	Resistant to temperatures of up to 80°C
Protection class	4000 series has been designed to meet the requirements of IP54
Standard colours	Base: Grey (GY), black (BLK) Aluminium lid
Standard unit includes	Base and aluminium lid 4x M3 machine screws 4x rubber feet
Options	PCB adapters for horizontal mounting

ALUMINIUM LID GREY	ALUMINIUM LID BLACK	LENGTH	WIDTH	HEIGHT
BIM4003-GY/PG	BIM4003-BLK/PG	85mm	56mm	35mm
BIM4004-GY/PG	BIM4004-BLK/PG	111mm	71mm	48mm

KEY FEATURES

Brass inserts | Accepts 1.6mm PCB's | Base moulded in ABS





268
HANDHELD CASES

292
UNIVERSAL
PLASTIC
ENCLOSURES

317
HEAVY DUTY
AND ELECTRICAL
ENCLOSURES

341
DEVELOPMENT
BOARD
ENCLOSURES

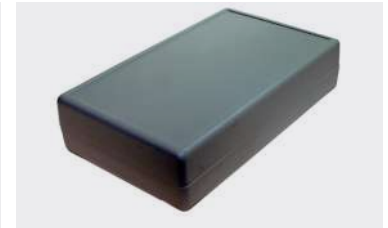
369
VERSATILE IOT
AND SENSOR
ENCLOSURES

7000 Series Multipurpose Recessed Electronic Enclosure

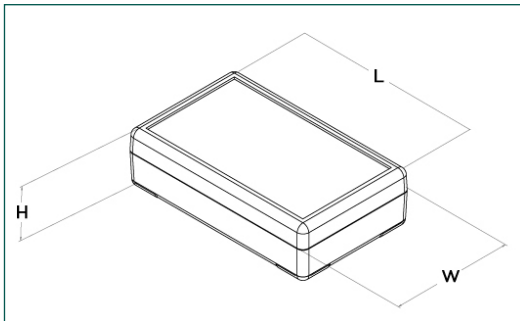
Product overview

Functional yet modern design in nine different sizes with anti-scratch finish. RFI wall mount options available.

- Lid and base moulded in ABS
- Lid mounted by four M3 machine screws
- Plastic screw covers for aesthetic appearance
- Fine texture anti-scratch finish
- Recesses in lid and base designed to accept membrane keypads or overlays
- Integral mounting guides in lid and base for vertical PCB mounting
- PCB pillars in lid and base
- Surface mountable via moulded fixing points or wall-mounting kit (optional)
- Can be supplied with optional waterproof gasket
- Can be supplied with optional waterproof gasket and RFI shielding
- 7000 series has been designed to meet the requirements of IP54 or additionally, IP65 with the gasket accessory



SPECIFICATION	
Materials	Lid, base and screw covers ABS, UL94-V0
Operating temperature	-20°C - 80°C
Protection class	7000 series has been designed to meet the requirements of IP54 or additionally, IP65 with the gasket accessory
Standard unit includes	Base and lid 4x M3 machine screws (torque 0.5 Nm) 4x screw covers
Options	Wall mounting kit IP65 gasket kits RFI screening



BLACK	LENGTH	WIDTH	HEIGHT	DESCRIPTION
CRDCB0001	90mm	55mm	25mm	Designer case
CRDCB0002	90mm	55mm	40mm	Designer case
CRDCB0003	110mm	85mm	35mm	Designer case
CRDCB0004	127mm	75mm	30mm	Designer case
CRDCB0005	127mm	75mm	45mm	Designer case
CRDCB0006	145mm	90mm	45mm	Designer case
CRDCB0007	190mm	120mm	60mm	Designer case
CRDCB0008	220mm	145mm	50mm	Designer case
CRDCB0009	220mm	145mm	80mm	Designer case

GREY	LENGTH	WIDTH	HEIGHT	DESCRIPTION
CRDCG0001	90mm	55mm	25mm	Designer case
CRDCGG001	90mm	55mm	25mm	With gasket
CRDCERG01	90mm	55mm	25mm	With RFI and gasket
CRDCG0002	90mm	55mm	40mm	Designer case
CRDCGG002	90mm	55mm	40mm	With gasket
CRDCERG02	90mm	55mm	40mm	With RFI and gasket
CRDCG0003	110mm	85mm	35mm	Designer case
CRDCGG003	110mm	85mm	35mm	With gasket
CRDCERG03	110mm	85mm	35mm	With RFI and gasket
CRDCG0004	127mm	75mm	30mm	Designer case
CRDCGG004	127mm	75mm	30mm	With gasket
CRDCERG04	127mm	75mm	30mm	With RFI and gasket
CRDCG0005	127mm	75mm	45mm	Designer case
CRDCGG005	127mm	75mm	45mm	With gasket
CRDCERG05	127mm	75mm	45mm	With RFI and gasket
CRDCG0006	145mm	90mm	45mm	Designer case
CRDCGG006	145mm	90mm	45mm	With gasket
CRDCERG06	145mm	90mm	45mm	With RFI and gasket
CRDCG0007	190mm	120mm	60mm	Designer case
CRDCGG007	190mm	120mm	60mm	With gasket
CRDCERG07	190mm	120mm	60mm	With RFI and gasket
CRDCG0008	220mm	145mm	50mm	Designer case
CRDCGG008	220mm	145mm	50mm	With gasket
CRDCERG08	220mm	145mm	50mm	With RFI and gasket
CRDCG0009	220mm	145mm	80mm	Designer case
CRDCGG009	220mm	145mm	80mm	With gasket
CRDCERG09	220mm	145mm	80mm	With RFI and gasket

BELTRONICA

+44 (0)1638 716101 | sales@camdenboss.com | www.camdenboss.com

We operate a constant improvement policy, our products are subject to change without notice.

Vers 2



FM 28614

ACCESSORIES

7000 series IP65 gasket kits

- EPDM gasket, dust and water protection from IP54 to IP65



PART NO.	DESCRIPTION
CRDCGASK1	Gasket for designer case size 1 and 2
CRDCGASK2	Gasket for designer case size 3
CRDCGASK3	Gasket for designer case size 4 and 5
CRDCGASK4	gasket for designer case Size 6
CRDCGASK5	Gasket for designer case Size 7
CRDCGASK6	Gasket for designer case size 8 and 9

Wall mounting kit

- Universal design fits all sizes, available in grey
- Fits lid and base, surface 1.5mm from lid or 9.5mm base



PART NO.	DESCRIPTION
CRDCWMKIT	4x mounting feet

KEY FEATURES

RFI & wall mount options | Anti-scratch finish | PCB mounting

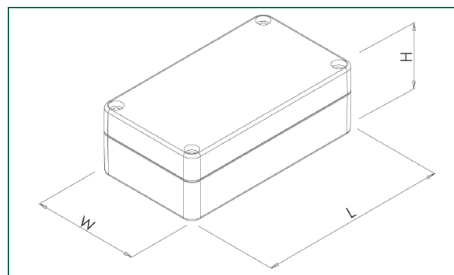


7200 Series Waterproof Polycarbonate Electronic Enclosure

Product overview

Robust IP65 polycarbonate cases to protect electrical and electronic components in rugged environments.

- Moulded in high grade polycarbonate
- PCB pillars in base with threaded inserts and for self-tapping screws
- Lid mounted by using M4 machine screws
- Easy to use wall-mounting holes
- Neoprene gasket supplied
- Clear lid available
- 7200 series has been designed to meet the requirements of IP65



SPECIFICATION	
Materials	Base and lid high grade polycarbonate
Operating temperature	-40°C to +120°C
Protection class	7200 series has been designed to meet the requirements of IP65
Standard colours	Light grey, similar to RAL 7035
Standard unit includes	Box and lid M4 non-magnetic machine screws Neoprene gasket

GREY LID	CLEAR LID	LENGTH	WIDTH	HEIGHT
7200-250	7200-250C	52mm	50mm	35mm
7200-201	7200-201C	64mm	58mm	35mm
7200-256	7200-256C	82mm	80mm	55mm
7200-203	7200-203C	115mm	65mm	40mm
7200-205	7200-205C	115mm	65mm	55mm
7200-212	7200-212C	115mm	90mm	55mm
7200-221	7200-221C	115mm	90mm	80mm
7200-278	7200-278C	120mm	120mm	60mm
7200-279	7200-279C	120mm	120mm	90mm
7200-258	7200-258C	160mm	80mm	55mm
7200-265	7200-265C	160mm	80mm	85mm
7200-287	7200-287C	160mm	160mm	60mm
7200-288	7200-288C	160mm	160mm	90mm
7200-214	7200-214C	171mm	121mm	55mm
7200-223	7200-223Cz	171mm	121mm	80mm
7200-229	7200-229C	195mm	80mm	55mm
7200-269	7200-269C	200mm	120mm	75mm
7200-218	7200-218C	222mm	146mm	55mm
7200-232	7200-232C	222mm	146mm	75mm
7200-2018	7200-2018C	240mm	160mm	90mm
7200-2025	7200-2025C	240mm	160mm	120mm
7200-238	7200-238C	265mm	185mm	95mm
7200-2029	7200-2029C	300mm	230mm	86mm
7200-2038	7200-2038C	300mm	230mm	111mm
7200-2058	7200-2058C	360mm	200mm	150mm

KEY FEATURES

High grade polycarbonate | wall-mounting | PCB pillars | IP65



BELTRONICA

+44 (0)1638 716101 | sales@camdenboss.com | www.camdenboss.com

We operate a constant improvement policy, our products are subject to change without notice.

Vers 2

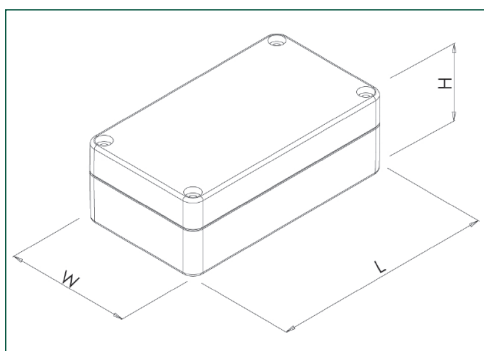


7300 Series Waterproof ABS Electronic Enclosure

Product overview

Robust IP65 ABS cases to protect electrical and electronic components in rugged environments.

- Moulded in high quality ABS
- PCB pillars in base with threaded inserts and for self-tapping screws
- Lid mounted by four M4 machine screws
- Neoprene gasket included
- Clear lid option
- 7300 series has been designed to meet the requirements of IP65



SPECIFICATION	
Materials	Base and lid high grade ABS
Operating temperature	-20°C to +80°C
Protection class	7300 series has been designed to meet the requirements of IP65
Standard colours	Dark grey, similar to RAL 7000
Standard unit includes	Box and lid 4x M4 non-magnetic machine screws Neoprene gasket

GREY LID	CLEAR LID	LENGTH	WIDTH	HEIGHT
7300-362	7300-362C	52mm	50mm	35mm
7300-302	7300-302C	64mm	58mm	35mm
7300-366	7300-366C	82mm	80mm	55mm
7300-304	7300-304C	115mm	65mm	40mm
7300-308	7300-308C	115mm	65mm	55mm
7300-311	7300-311C	115mm	90mm	55mm
7300-331	7300-331C	115mm	90mm	80mm
7300-386	7300-386C	120mm	120mm	60mm
7300-387	7300-387C	120mm	120mm	90mm
7300-368	7300-368C	160mm	80mm	55mm
7300-369	7300-369C	160mm	80mm	85mm
7300-396	7300-396C	160mm	160mm	60mm
7300-399	7300-399C	160mm	160mm	90mm
7300-313	7300-313C	171mm	121mm	55mm
7300-340	7300-340C	171mm	121mm	80mm
7300-346	7300-346C	195mm	80mm	55mm
7300-373	7300-373C	200mm	120mm	75mm
7300-317	7300-317C	222mm	146mm	55mm
7300-353	7300-353C	222mm	146mm	75mm
7300-3008	7300-3008C	240mm	160mm	90mm
7300-3019	7300-3019C	240mm	160mm	120mm
7300-378	7300-378C	265mm	185mm	95mm
7300-3028	7300-3028C	300mm	230mm	86mm
7300-3031	7300-3031C	300mm	230mm	111mm
7300-3039	7300-3039C	360mm	200mm	150mm

KEY FEATURES

High quality ABS | Clear lid option | PCB pillars | IP65



BELTRONICA

+44 (0)1638 716101 | sales@camdenboss.com | www.camdenboss.com

We operate a constant improvement policy, our products are subject to change without notice.

Vers 3



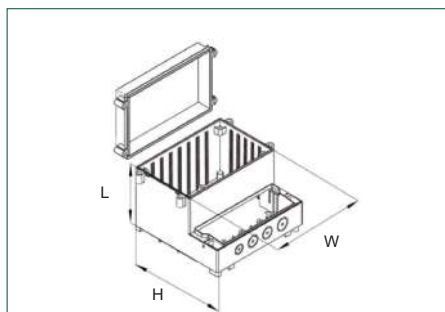
FM 28614

7710 Series Hinged Door Wall Mount Electrical Enclosure

Product overview

Wall mounted enclosure with a transparent and hinged polycarbonate door. Designed to house electronic applications.

- Moulded in high quality flame retardant PC and PC/ABS
- Suitable for high temperatures
- Protects controls and components indoors or outdoors
- Two detachable hinges for quick access
- Fastening pillars and guide grooves for vertical and horizontal PCB mounting
- Hinges can be left or right mounted
- DIN Rail mountable
- EPDM gasket for IP65 seal pre-inserted
- 7710 series has been designed to meet the requirements of IP65



CHD77



SPECIFICATION

Materials	Box: PC/ABS UL94-V0 Clear cover: PC UL94-V0
Operating temperature	-40°C to +120°C
Ingress protection class	7710 series has been designed to meet the requirements of IP65
Standard colours	Light grey, similar to RAL 7038, transparent lid
Standard unit includes	Box, lid, hinges, catch, fixing screws and neoprene gasket

PART NO.	LENGTH	WIDTH	HEIGHT
CHD771001	93mm	166mm	161mm
CHD771002	121mm	166mm	161mm
CHD771003	104.5mm	213mm	185mm
CHD771004	132.5mm	256mm	217mm
CHD771005	158mm	296mm	281mm

ACCESSORIES

Wall mounting kit



PART NO.	DESCRIPTION
CHD7700MK	Mounting brackets

KEY FEATURES

Internal DIN Rail mounting positions | Padlock feature | IP65



Waterproof Electrical Control Switch Enclosure

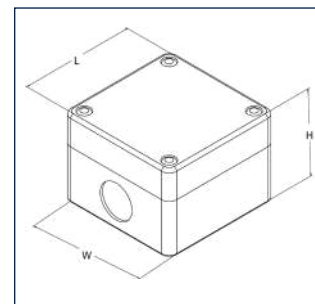
Product overview

- IP65 ABS enclosures suitable for control switches and equipment
- Single button enclosure available with a yellow lid, other sizes are subject to special request
- 22mm pre cut enclosures or solid enclosure modification to order.
- 21mm diameter (PG13.5) knockouts moulded into the enclosure
- Pre assembled control station and control switches available to order
- Larger sizes to order
- This series has been designed to meet the requirements of IP65



SPECIFICATION

Material	ABS	
Protection class	This series has been designed to meet the requirements of IP65	
Rated temperature	Operating	-25°C to +70°C
	Storage	-40°C to +80°C
Standard colours	Box and lid	Grey RAL 7035 Yellow RAL 1103

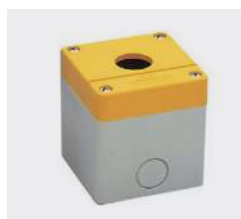
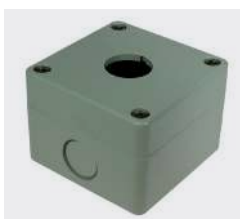


Without button cut out



PART NO.	LID COLOUR	LENGTH	WIDTH	HEIGHT
CCS00GY00	Grey	70mm	70mm	51mm
CCS03GY00	Grey	70mm	70mm	74mm
CCS05GY00	Grey	105mm	70mm	51mm
CCS06GY00	Grey	105mm	70mm	74mm
CCS07GY00	Grey	140mm	70mm	51mm
CCS08GY00	Grey	140mm	70mm	74mm
CCS09GY00	Grey	185mm	70mm	51mm
CCS10GY00	Grey	185mm	70mm	74mm

Single button cut out



PART NO.	LID COLOUR	LENGTH	WIDTH	HEIGHT
CCS00GY01	Grey	70mm	70mm	51mm
CCS00YW01	Yellow	70mm	70mm	51mm
CCS03GY01	Grey	70mm	70mm	74mm
CCS03YW01	Yellow	70mm	70mm	74mm

Two button cut out



PART NO.	LID COLOUR	LENGTH	WIDTH	HEIGHT
CCS05GY02	Grey	105mm	70mm	51mm
CCS06GY02	Grey	105mm	70mm	74mm

BELTRONICA

+44 (0)1638 716101 | sales@camdenboss.com | www.camdenboss.com

We operate a constant improvement policy, our products are subject to change without notice.

Vers 2



FM 28614

268
HANDHELD CASES

Three button cut out



PART NO.	LID COLOUR	LENGTH	WIDTH	HEIGHT
CCS07GY03	Grey	140mm	70mm	51mm
CCS08GY03	Grey	140mm	70mm	74mm

292
UNIVERSAL
PLASTIC
ENCLOSURES317
HEAVY DUTY
AND ELECTRICAL
ENCLOSURES

Four button cut out



PART NO.	LID COLOUR	LENGTH	WIDTH	HEIGHT
CCS09GY04	Grey	185mm	70mm	51mm
CCS10GY04	Grey	185mm	70mm	74mm

341
DEVELOPMENT
BOARD
ENCLOSURES369
VERSATILE IOT
AND SENSOR
ENCLOSURES

Five and six button cut out



PART NO.	BUTTONS	LID COLOUR	LENGTH	WIDTH	HEIGHT
CCS11GY05	5	Grey	225mm	70mm	74mm
CCS11GY06	6	Grey	225mm	70mm	74mm

ACCESSORIES

Mounting plates



PART NO.	DESCRIPTION
CCSP01	1
CCSP02	2
CCSP03	3
CCSP04	4
CCSP05	5

For 6 button use 2x CCSP03

KEY FEATURES

IP65 ABS | Metric knockouts | Larger sizes to order



PLASTIC ENCLOSURES

ASSOCIATED PRODUCTS

- IP65 illuminated pushbuttons
- 22mm diameter control switches
- 22mm piezo switches

BELTRONICA

+44 (0)1638 716101 | sales@camdenboss.com | www.camdenboss.com

We operate a constant improvement policy, our products are subject to change without notice.



FM 28614

Vers 2

335

X6 Series IP67 Electrical Knockout Enclosure - Polycarbonate

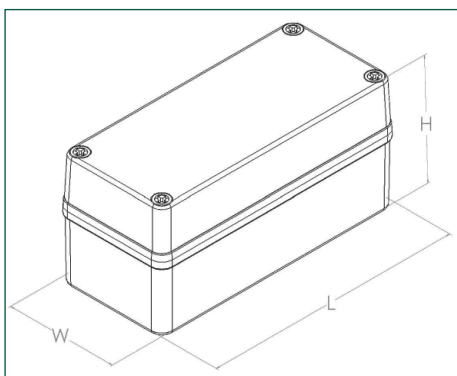
Product overview

- Screw type lid with knockouts on the base
- Moulded in high quality polycarbonate
- Pillars in the base can be used for PCB mounting or DIN rail mounting, etc.
- Gasket moulded into the enclosure lid
- Clear lid option available
- Captive, polyamide lid screws included
- Larger sizes include two brass inserts at either end of the base, suitable for DIN rails
- Wall mounting accessories available
- X6 series meets the requirements of IP67 (equivalent to NEMA 6)
- IK08 impact tested



SPECIFICATION

Materials	Polycarbonate UL94-V0
Operating temperature	-40°C to +110°C
Protection class	X6 series has been tested and meets the requirements of IP67, IK08
Standard colours	Grey, transparent lid option
Standard unit includes	Box, lid, 4 screws
Available accessories	Mount plates and wall mounts



SOLID LID	CLEAR LID	LENGTH	WIDTH	HEIGHT
CHDX6-221	CHDX6-221C	110mm	80mm	70mm
CHDX6-222	CHDX6-222C	110mm	80mm	85mm
CHDX6-223	CHDX6-223C	130mm	80mm	70mm
CHDX6-224	CHDX6-224C	130mm	80mm	85mm
CHDX6-225	CHDX6-225C	180mm	80mm	70mm
CHDX6-226	CHDX6-226C	180mm	80mm	85mm
CHDX6-227	CHDX6-227C	250mm	80mm	70mm
CHDX6-228	CHDX6-228C	250mm	80mm	85mm
CHDX6-229	CHDX6-229C	175mm	127mm	75mm
CHDX6-230	CHDX6-230C	175mm	127mm	100mm

KEY FEATURES

IP67 rated enclosure | IK07/08 impact tested | Metric sized knockouts



BELTRONICA

+44 (0)1638 716101 | sales@camdenboss.com | www.camdenboss.com

We operate a constant improvement policy, our products are subject to change without notice.

Vers 4



FM 28614

X6 Series IP67 Electrical Knockout Enclosure - ABS

Product overview

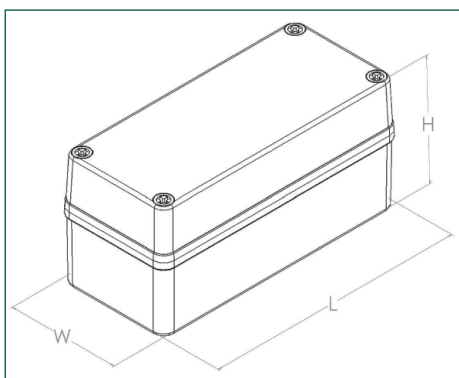
- Screw type lid with knockouts on the base
- Moulded in high quality ABS
- Pillars in the base can be used for PCB mounting or DIN rail mounting, etc.
- Gasket moulded into the enclosure lid
- Clear lid option available
- Captive, polyamide lid screws included
- Larger sizes include two brass inserts at either end of the base, suitable for DIN rails
- Wall mounting accessories available
- X6 series meets the requirements of IP67 (equivalent to NEMA 6)
- IK08 impact tested

CHDX6



SPECIFICATION

Materials	ABS UL94-HB
Operating temperature	-40°C- to + 70°C
Protection class	X6 series has been tested and meets the requirements of IP67, IK08
Standard colours	Grey, transparent lid option
Standard unit includes	Box, lid, 4 screws
Available accessories	Mount plates and wall mounts



SOLID LID	CLEAR LID	LENGTH	WIDTH	HEIGHT
CHDX6-321	CHDX6-321C	110mm	80mm	70mm
CHDX6-322	CHDX6-322C	110mm	80mm	85mm
CHDX6-323	CHDX6-323C	130mm	80mm	70mm
CHDX6-324	CHDX6-324C	130mm	80mm	85mm
CHDX6-325	CHDX6-325C	180mm	80mm	70mm
CHDX6-326	CHDX6-326C	180mm	80mm	85mm
CHDX6-327	CHDX6-327C	250mm	80mm	70mm
CHDX6-328	CHDX6-328C	250mm	80mm	85mm
CHDX6-329	CHDX6-329C	175mm	127mm	75mm
CHDX6-330	CHDX6-330C	175mm	127mm	100mm

KEY FEATURES

High quality ABS | IP67 rated enclosure | IK07/08 impact tested



BELTRONICA

+44 (0)1638 716101 | sales@camdenboss.com | www.camdenboss.com

We operate a constant improvement policy, our products are subject to change without notice.

Vers 4



FM 28614

ACCESSORIES

Vents to fit X6, X7 and X8 enclosures

- Vents in two sizes for heat extraction
- The vent includes a gasket for water resistant applications
- Designed to meet the requirements of IP34



PART NO.	CUTOUT DIAMETER	MATERIAL
CHDA201V	63	Polycarbonate
CHDA202V	88	Polycarbonate
CHDA301V	63	ABS
CHDA302V	88	ABS

Mounting brackets to fit X6, X7 and X8 enclosures

- Brackets to mount each enclosure to any surface/wall
- See cross reference page 329 to select the correct size for your enclosure



PART NO.	SIZE	
CHDAPB014/4	1	Size 1 Bracket, 4x12 S/T Screw, 4pc kit
CHDAPB015/4	1	Size 1 Bracket, 5x12 S/T Screw, 4pc kit
CHDAPB025/4	2	Size 2 Bracket, M5x12 Screw, 4pc kit
CHDAPB025/6	2	Size 2 Bracket, M5x12 Screw, 6pc kit
CHDAPB026/6	2	Size 2 Bracket, M6x12 Screw, 6pc kit

Mounting plates to fit X6, X7 and X8 enclosures

- Material: Steel
- Mounting plates for each enclosure available
- See cross reference page 329 to select the correct size for your enclosure



PART NO.	LENGTH	WIDTH
CHDASMP21	65mm	95mm
CHDASMP22	65mm	115mm
CHDASMP23	65mm	165mm
CHDASMP24	65mm	235mm
CHDASMP25	101mm	161mm
CHDASMP26	159mm	159mm
CHDASMP27	159mm	248mm
CHDASMP28	248mm	348mm
CHDASMP29	295mm	395mm
CHDASMP30	85mm	232mm
CHDASMP32	129mm	179mm
CHDASMP33	129mm	224mm
CHDASMP34	170mm	266mm
CHDASMP35	179mm	179mm
CHDASMP36	216mm	316mm
CHDASMP37	262mm	262mm
CHDASMP38	265mm	365mm
CHDASMP39	358mm	458mm
CHDASMP40	450mm	555mm
CHDASMP41	550mm	755mm
CHDASMP42	248mm	248mm
CHDASMP43	248mm	308mm
CHDASMP44	232mm	535mm
CHDASMP45	345mm	535mm
CHDASMP46	159mm	348mm
CHDASMP49	65mm	65mm

268
HANDHELD CASES

292
UNIVERSAL ENCLOSURES

318
HEAVY DUTY AND ELECTRICAL ENCLOSURES

342
DESKTOP AND INSTRUMENT CASES

348
DEVELOPMENT BOARD ENCLOSURES

367
VERSATILE IOT AND SENSOR ENCLOSURES

370
CUSTOM SIZED ENCLOSURES

PLASTIC ENCLOSURES

ACCESSORIES

Dual door to fit the X8 enclosure

- Dual door available for some sizes
- Easy to assemble, sturdy construction
- See cross reference page 328 to select the correct size for your enclosure



PART NO.	KIT INCLUDES
CHDX807DD	4 legs, 1 door, 1 door handle, 1 frame, 8 screws
CHDX808DD	4 legs, 1 door, 1 door handle, 1 frame, 8 screws
CHDX810DD	4 legs, 1 door, 1 door handle, 1 frame, 8 screws
CHDX811DD	4 legs, 1 door, 1 door handle, 1 frame, 8 screws
CHDX812DD	4 legs, 1 door, 1 door handle, 1 frame, 8 screws
CHDX813DD	4 legs, 1 door, 1 door handle, 1 frame, 8 screws
CHDX814DD	4 legs, 1 door, 1 door handle, 1 frame, 8 screws

Lock to fit the X8 enclosure

- One or two locks can be fitted, depending on security level required
- See cross reference page 328 to select the correct size for your enclosure
- Moulded in high quality polycarbonate



PART NO.	SIZE
CHDA01IL	1
CHDA02IL	2
CHDA03IL	3
CHDA04IL	4

BELTRONICA

+44 (0)1638 716101 | sales@camdenboss.com | www.camdenboss.com

We operate a constant improvement policy, our products are subject to change without notice.

Vers 1



FM 28614

ACCESSORIES FOR X6, X7 AND X8 SERIES

ENCLOSURE PART NO.		W/MOUNT					LOCKS			DUAL DOOR							
POLY	ABS	CHDAPB014/4	CHDAPB015/4	CHDAPB025/4	CHDAPB025/6	CHDAPB026/6	CHDA01L	CHDA02L	CHDA03L	CHDA04L	CHDX807DD	CHDX808DD	CHDX8010DD	CHDX811DD	CHDX812DD	CHDX813DD	CHDX814DD
CHDX6-221	CHDX6-321		●														
CHDX6-222	CHDX6-322		●														
CHDX6-223	CHDX6-323		●														
CHDX6-224	CHDX6-324		●														
CHDX6-225	CHDX6-325		●														
CHDX6-226	CHDX6-326		●														
CHDX6-227	CHDX6-327		●														
CHDX6-228	CHDX6-328		●														
CHDX6-229	CHDX6-329		●														
CHDX6-230	CHDX6-330		●														
CHDX7-221	CHDX7-321			●													
CHDX7-222	CHDX7-322			●													
CHDX7-223	CHDX7-323			●													
CHDX7-224	CHDX7-324			●													
CHDX7-225	CHDX7-325			●													
CHDX7-226	CHDX7-326			●													
CHDX7-227	CHDX7-327			●													
CHDX7-228	CHDX7-328			●													
CHDX7-229	CHDX7-329			●													
CHDX7-230	CHDX7-330			●													
CHDX7-231	CHDX7-331			●													
CHDX7-232	CHDX7-332			●													
CHDX7-237	CHDX7-327																
CHDX8-221	CHDX8-321	●					●										
CHDX8-222	CHDX8-322	●					●										
CHDX8-223	CHDX8-333	●					●										
CHDX8-224	CHDX8-324	●					●										
CHDX8-225	CHDX8-325	●					●										
CHDX8-226	CHDX8-326	●					●										
CHDX8-227	CHDX8-327			●				●		●							
CHDX8-228	CHDX8-328			●				●			●						
CHDX8-229	CHDX8-329			●				●									
CHDX8-230	CHDX8-330			●				●				●					
CHDX8-231	CHDX8-331			●				●						●			
CHDX8-232	CHDX8-332			●				●							●		
CHDX8-233	CHDX8-333			●				●		●						●	
CHDX8-234	CHDX8-334				●					●							●
CHDX8-235	CHDX8-335					●				●							
CHDX8-236	CHDX8-336					●				●							

*Add 'c' suffix for clear lid versions



268
HANDHELD CASES

292
UNIVERSAL
ENCLOSURES

318
HEAVY DUTY
AND ELECTRICAL
ENCLOSURES

342
DESKTOP AND
INSTRUMENT
CASES

348
DEVELOPMENT
BOARD
ENCLOSURES

367
VERSATILE IOT
AND SENSOR
ENCLOSURES

370
CUSTOM SIZED
ENCLOSURES

ENCLOSURE PART NO.		MOUNTING PLATES																						
POLY	ABS	CHDASMP25	CHDASMP26	CHDASMP27	CHDASMP28	CHDASMP29	CHDASMP30	CHDASMP31	CHDASMP32	CHDASMP33	CHDASMP34	CHDASMP35	CHDASMP36	CHDASMP37	CHDASMP38	CHDASMP39	CHDASMP40	CHDASMP41	CHDASMP42	CHDASMP43	CHDASMP44	CHDASMP45	CHDASMP46	
CHDX6-229	CHDX6-329	●																						
CHDX6-230	CHDX6-330	●																						
CHDX7-221	CHDX7-321		●																					
CHDX7-222	CHDX7-322																							●
CHDX7-223	CHDX7-323																							●
CHDX7-224	CHDX7-324				●																			
CHDX7-225	CHDX7-325					●																		
CHDX7-226	CHDX7-326			●																				
CHDX7-227	CHDX7-327			●																				
CHDX7-228	CHDX7-328																		●					
CHDX7-229	CHDX7-329																				●			
CHDX7-230	CHDX7-330				●																			
CHDX7-231	CHDX7-331																					●		
CHDX7-232	CHDX7-332																						●	
CHDX8-221	CHDX8-321							●																
CHDX8-222	CHDX8-322							●																
CHDX8-223	CHDX8-323								●															
CHDX8-224	CHDX8-324								●															
CHDX8-225	CHDX8-325									●														
CHDX8-226	CHDX8-326										●													
CHDX8-227	CHDX8-327											●												
CHDX8-228	CHDX8-328											●												
CHDX8-229	CHDX8-329												●											
CHDX8-230	CHDX8-330													●										
CHDX8-231	CHDX8-331														●									
CHDX8-232	CHDX8-332															●								
CHDX8-233	CHDX8-333																●							
CHDX8-234	CHDX8-334																	●						
CHDX8-235	CHDX8-335																		●					
CHDX8-236	CHDX8-336																			●				

*Add 'c' suffix for clear lid versions

PLASTIC ENCLOSURES

BELTRONICA

+44 (0)1638 716101 | sales@camdenboss.com | www.camdenboss.com

We operate a constant improvement policy, our products are subject to change without notice.

Vers 2



FM 28614

330

268
HANDHELD CASES292
UNIVERSAL
ENCLOSURES318
HEAVY DUTY
AND ELECTRICAL
ENCLOSURES342
DESKTOP AND
INSTRUMENT
CASES348
DEVELOPMENT
BOARD
ENCLOSURES367
VERSATILE IOT
AND SENSOR
ENCLOSURES370
CUSTOM SIZED
ENCLOSURES

X7 series electrical heavy duty enclosures - polycarbonate

Product overview

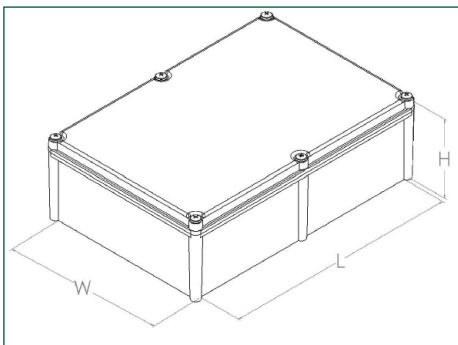
- Heavy duty screw type enclosure
- Moulded in high quality polycarbonate
- Pillars in the base can be used for PCB mounting or DIN rail mounting, etc.
- Gasket moulded into the enclosure lid
- Clear lid option available
- Captive, polyamide lid screws included
- Wall mount accessory available
- X7 series meets the requirements of IP67 (equivalent to NEMA 6)
- IK08 impact tested

CHDX7



SPECIFICATION

Materials	Polycarbonate UL94-V0
Operating temperature	-40°C to +110°C
Protection class	X7 series has been tested and meets the requirements of IP67, IK08
Standard colours	Grey, transparent lid option
Standard unit Includes	Box and lid, 4 screws
Available accessories	Mount plates, vents, wall mounts



SOLID LID	CLEAR LID	LENGTH	WIDTH	HEIGHT	CORNER PILLARS
CHDX7-237	CHDX7-237C	80mm	80mm	60mm	No
CHDX7-221	CHDX7-221C	190mm	190mm	130mm	Yes
CHDX7-222	CHDX7-222C	380mm	190mm	130mm	Yes
CHDX7-223	CHDX7-223C	380mm	190mm	180mm	Yes
CHDX7-224	CHDX7-224C	380mm	280mm	180mm	Yes
CHDX7-225	CHDX7-225C	430mm	330mm	180mm	Yes
CHDX7-226	CHDX7-226C	280mm	190mm	130mm	Yes
CHDX7-227	CHDX7-227C	280mm	190mm	180mm	Yes
CHDX7-228	CHDX7-228C	280mm	280mm	130mm	Yes
CHDX7-229	CHDX7-229C	340mm	280mm	130mm	Yes
CHDX7-230	CHDX7-230C	380mm	280mm	130mm	Yes
CHDX7-231	CHDX7-231C	560mm	280mm	130mm	Yes
CHDX7-232	CHDX7-232C	560mm	380mm	180mm	Yes

KEY FEATURES

Rugged heavy duty mould | IP67 rated enclosure | PCB stand offs

**BELTRONICA**

+44 (0)1638 716101 | sales@camdenboss.com | www.camdenboss.com

We operate a constant improvement policy, our products are subject to change without notice.

Vers 5



FM 28614

268
HANDHELD CASES

292
UNIVERSAL
ENCLOSURES

318
HEAVY DUTY
AND ELECTRICAL
ENCLOSURES

342
DESKTOP AND
INSTRUMENT
CASES

348
DEVELOPMENT
BOARD
ENCLOSURES

367
VERSATILE IOT
AND SENSOR
ENCLOSURES

370
CUSTOM SIZED
ENCLOSURES

X7 series electrical heavy duty enclosures - ABS

Product overview

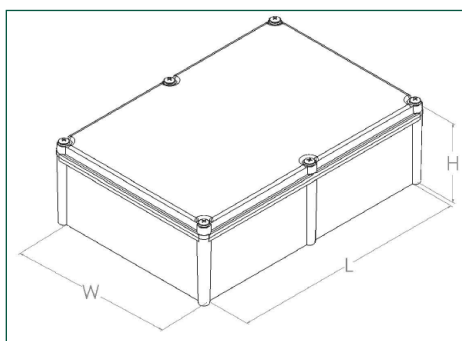
- Heavy duty screw type enclosure
- Moulded in high quality ABS
- Pillars in the base can be used for PCB mounting or DIN rail mounting, etc.
- Gasket moulded into the enclosure lid
- Clear lid option available
- Captive, polyamide lid screws included
- Wall mount accessory available
- X7 series meets the requirements of IP67 (equivalent to NEMA 6)
- IK08 impact tested

CHDX7



SPECIFICATION

Materials	ABS UL94-HB
Operating temperature	-40°C- to + 70°C
Protection class	X7 series has been tested and meets the requirements of IP67, IK08
Standard colours	Grey, transparent lid option
Standard unit Includes	Box and lid, 4 screws
Available accessories	Mount plates, vents, wall mounts



SOLID LID	CLEAR LID	LENGTH	WIDTH	HEIGHT	CORNER PILLARS
CHDX7-337	CHDX7-337C	80mm	80mm	60mm	No
CHDX7-321	CHDX7-321C	190mm	190mm	130mm	Yes
CHDX7-322	CHDX7-322C	380mm	190mm	130mm	Yes
CHDX7-323	CHDX7-323C	380mm	190mm	180mm	Yes
CHDX7-324	CHDX7-324C	380mm	280mm	180mm	Yes
CHDX7-325	CHDX7-325C	430mm	330mm	180mm	Yes
CHDX7-326	CHDX7-326C	280mm	190mm	130mm	Yes
CHDX7-327	CHDX7-327C	280mm	190mm	180mm	Yes
CHDX7-328	CHDX7-328C	280mm	280mm	130mm	Yes
CHDX7-329	CHDX7-329C	340mm	280mm	130mm	Yes
CHDX7-330	CHDX7-330C	380mm	280mm	130mm	Yes
CHDX7-331	CHDX7-331C	560mm	280mm	130mm	Yes
CHDX7-332	CHDX7-332C	560mm	380mm	180mm	Yes

KEY FEATURES

Rugged heavy duty mould | IP67 rated enclosure | PCB stand offs



PLASTIC ENCLOSURES

BELTRONICA

+44 (0)1638 716101 | sales@camdenboss.com | www.camdenboss.com

We operate a constant improvement policy, our products are subject to change without notice.

Vers 5



FM 28614

324

ACCESSORIES

Vents to fit X6, X7 and X8 enclosures

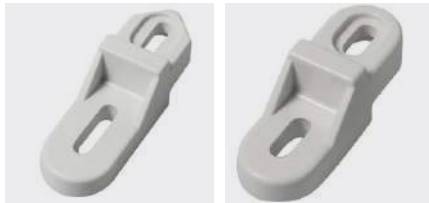
- Vents in two sizes for heat extraction
- The vent includes a gasket for water resistant applications
- Designed to meet the requirements of IP34



PART NO.	CUTOUT DIAMETER	MATERIAL
CHDA201V	63	Polycarbonate
CHDA202V	88	Polycarbonate
CHDA301V	63	ABS
CHDA302V	88	ABS

Mounting brackets to fit X6, X7 and X8 enclosures

- Brackets to mount each enclosure to any surface/wall
- See cross reference page 328 to select the correct size for your enclosure



PART NO.	SIZE	
CHDAPB014/4	1	Size 1 Bracket, 4x12 S/T Screw, 4pc kit
CHDAPB015/4	1	Size 1 Bracket, 5x12 S/T Screw, 4pc kit
CHDAPB025/4	2	Size 2 Bracket, M5x12 Screw, 4pc kit
CHDAPB025/6	2	Size 2 Bracket, M5x12 Screw, 6pc kit
CHDAPB026/6	2	Size 2 Bracket, M6x12 Screw, 6pc kit

Mounting plates to fit X6, X7 and X8 enclosures

- Material: Steel
- Mounting plates for each enclosure available
- See cross reference page 329 to select the correct size for your enclosure



PART NO.	LENGTH	WIDTH
CHDASMP21	65mm	95mm
CHDASMP22	65mm	115mm
CHDASMP23	65mm	165mm
CHDASMP24	65mm	235mm
CHDASMP25	101mm	161mm
CHDASMP26	159mm	159mm
CHDASMP27	159mm	248mm
CHDASMP28	248mm	348mm
CHDASMP29	295mm	395mm
CHDASMP30	85mm	232mm
CHDASMP32	129mm	179mm
CHDASMP33	129mm	224mm
CHDASMP34	170mm	266mm
CHDASMP35	179mm	179mm
CHDASMP36	216mm	316mm
CHDASMP37	262mm	262mm
CHDASMP38	265mm	365mm
CHDASMP39	358mm	458mm
CHDASMP40	450mm	555mm
CHDASMP41	550mm	755mm
CHDASMP42	248mm	248mm
CHDASMP43	248mm	308mm
CHDASMP44	232mm	535mm
CHDASMP45	345mm	535mm
CHDASMP46	159mm	348mm
CHDASMP49	65mm	65mm

268
HANDHELD CASES

292
UNIVERSAL ENCLOSURES

318
HEAVY DUTY AND ELECTRICAL ENCLOSURES

342
DESKTOP AND INSTRUMENT CASES

348
DEVELOPMENT BOARD ENCLOSURES

367
VERSATILE IOT AND SENSOR ENCLOSURES

370
CUSTOM SIZED ENCLOSURES

PLASTIC ENCLOSURES

ACCESSORIES

Dual door to fit the X8 enclosure

- Dual door available for some sizes
- Easy to assemble, sturdy construction
- See cross reference page 328 to select the correct size for your enclosure



PART NO.	KIT INCLUDES
CHDX807DD	4 legs, 1 door, 1 door handle, 1 frame, 8 screws
CHDX808DD	4 legs, 1 door, 1 door handle, 1 frame, 8 screws
CHDX810DD	4 legs, 1 door, 1 door handle, 1 frame, 8 screws
CHDX811DD	4 legs, 1 door, 1 door handle, 1 frame, 8 screws
CHDX812DD	4 legs, 1 door, 1 door handle, 1 frame, 8 screws
CHDX813DD	4 legs, 1 door, 1 door handle, 1 frame, 8 screws
CHDX814DD	4 legs, 1 door, 1 door handle, 1 frame, 8 screws

Lock to fit the X8 enclosure

- One or two locks can be fitted, depending on security level required
- See cross reference page 328 to select the correct size for your enclosure
- Moulded in high quality polycarbonate



PART NO.	SIZE
CHDA01IL	1
CHDA02IL	2
CHDA03IL	3
CHDA04IL	4

BELTRONICA

+44 (0)1638 716101 | sales@camdenboss.com | www.camdenboss.com

We operate a constant improvement policy, our products are subject to change without notice.

Vers 1



FM 28614

ACCESSORIES FOR X6, X7 AND X8 SERIES

ENCLOSURE PART NO.		W/MOUNT					LOCKS			DUAL DOOR							
POLY	ABS	CHDAPB014/4	CHDAPB015/4	CHDAPB025/4	CHDAPB025/6	CHDAPB026/6	CHDA01L	CHDA02L	CHDA03L	CHDA04L	CHDX807DD	CHDX808DD	CHDX8010DD	CHDX811DD	CHDX812DD	CHDX813DD	CHDX814DD
CHDX6-221	CHDX6-321		●														
CHDX6-222	CHDX6-322		●														
CHDX6-223	CHDX6-323		●														
CHDX6-224	CHDX6-324		●														
CHDX6-225	CHDX6-325		●														
CHDX6-226	CHDX6-326		●														
CHDX6-227	CHDX6-327		●														
CHDX6-228	CHDX6-328		●														
CHDX6-229	CHDX6-329		●														
CHDX6-230	CHDX6-330		●														
CHDX7-221	CHDX7-321			●													
CHDX7-222	CHDX7-322			●													
CHDX7-223	CHDX7-323			●													
CHDX7-224	CHDX7-324			●													
CHDX7-225	CHDX7-325			●													
CHDX7-226	CHDX7-326			●													
CHDX7-227	CHDX7-327			●													
CHDX7-228	CHDX7-328			●													
CHDX7-229	CHDX7-329			●													
CHDX7-230	CHDX7-330			●													
CHDX7-231	CHDX7-331			●													
CHDX7-232	CHDX7-332			●													
CHDX7-237	CHDX7-327																
CHDX8-221	CHDX8-321	●					●										
CHDX8-222	CHDX8-322	●					●										
CHDX8-223	CHDX8-333	●					●										
CHDX8-224	CHDX8-324	●					●										
CHDX8-225	CHDX8-325	●					●										
CHDX8-226	CHDX8-326	●					●										
CHDX8-227	CHDX8-327			●				●			●						
CHDX8-228	CHDX8-328			●				●				●					
CHDX8-229	CHDX8-329			●				●									
CHDX8-230	CHDX8-330			●				●					●				
CHDX8-231	CHDX8-331			●				●						●			
CHDX8-232	CHDX8-332			●				●							●		
CHDX8-233	CHDX8-333			●				●		●						●	
CHDX8-234	CHDX8-334				●					●							●
CHDX8-235	CHDX8-335					●				●							
CHDX8-236	CHDX8-336					●				●							

292
UNIVERSAL ENCLOSURES

318
HEAVY DUTY AND ELECTRICAL ENCLOSURES

342
DESKTOP AND INSTRUMENT CASES

348
DEVELOPMENT BOARD ENCLOSURES

367
VERSATILE IOT AND SENSOR ENCLOSURES

370
CUSTOM SIZED ENCLOSURES

PLASTIC ENCLOSURES

*Add 'c' suffix for clear lid versions



268
HANDHELD CASES

292
UNIVERSAL
ENCLOSURES

318
HEAVY DUTY
AND ELECTRICAL
ENCLOSURES

342
DESKTOP AND
INSTRUMENT
CASES

348
DEVELOPMENT
BOARD
ENCLOSURES

367
VERSATILE IOT
AND SENSOR
ENCLOSURES

370
CUSTOM SIZED
ENCLOSURES

ENCLOSURE PART NO.		MOUNTING PLATES																						
POLY	ABS	CHDASMP25	CHDASMP26	CHDASMP27	CHDASMP28	CHDASMP29	CHDASMP30	CHDASMP31	CHDASMP32	CHDASMP33	CHDASMP34	CHDASMP35	CHDASMP36	CHDASMP37	CHDASMP38	CHDASMP39	CHDASMP40	CHDASMP41	CHDASMP42	CHDASMP43	CHDASMP44	CHDASMP45	CHDASMP46	
CHDX6-229	CHDX6-329	●																						
CHDX6-230	CHDX6-330	●																						
CHDX7-221	CHDX7-321		●																					
CHDX7-222	CHDX7-322																							●
CHDX7-223	CHDX7-323																							●
CHDX7-224	CHDX7-324				●																			
CHDX7-225	CHDX7-325					●																		
CHDX7-226	CHDX7-326			●																				
CHDX7-227	CHDX7-327			●																				
CHDX7-228	CHDX7-328																		●					
CHDX7-229	CHDX7-329																				●			
CHDX7-230	CHDX7-330			●																				
CHDX7-231	CHDX7-331																						●	
CHDX7-232	CHDX7-332																							●
CHDX8-221	CHDX8-321							●																
CHDX8-222	CHDX8-322							●																
CHDX8-223	CHDX8-323								●															
CHDX8-224	CHDX8-324								●															
CHDX8-225	CHDX8-325									●														
CHDX8-226	CHDX8-326										●													
CHDX8-227	CHDX8-327											●												
CHDX8-228	CHDX8-328											●												
CHDX8-229	CHDX8-329												●											
CHDX8-230	CHDX8-330													●										
CHDX8-231	CHDX8-331														●									
CHDX8-232	CHDX8-332															●								
CHDX8-233	CHDX8-333																●							
CHDX8-234	CHDX8-334																	●						
CHDX8-235	CHDX8-335																		●					
CHDX8-236	CHDX8-336																			●				

*Add 'c' suffix for clear lid versions

BELTRONICA

+44 (0)1638 716101 | sales@camdenboss.com | www.camdenboss.com

We operate a constant improvement policy, our products are subject to change without notice.

Vers 2



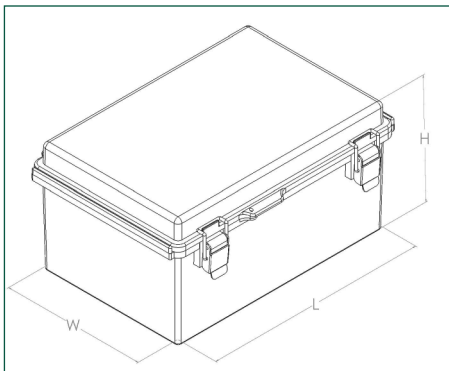
268
HANDHELD CASES

X8 Series Waterproof Hinged Door Enclosure - Polycarbonate

Product overview

- Heavy duty hinge lid and latch enclosure
- Moulded in high quality polycarbonate
- Pillars in the base can be used for PCB mounting or DIN rail mounting, etc.
- Brass inserts in the base
- Gasket moulded into the enclosure lid
- Clear lid option available
- Wall mounting accessories available
- Key lock latch accessories available
- X8 series meets the requirements of IP67 (equivalent to NEMA 6)
- IK08 impact tested

CHDX8

292
UNIVERSAL
PLASTIC
ENCLOSURES317
HEAVY DUTY
AND ELECTRICAL
ENCLOSURES341
DEVELOPMENT
BOARD
ENCLOSURES369
VERSATILE IOT
AND SENSOR
ENCLOSURES

SPECIFICATION

Materials	Polycarbonate UL94-V0
Operating temperature	-40°C to +110°C
Protection class	X8 series has been tested and meets the requirements of IP67, IK08
Standard colours	Grey, transparent lid option
Standard unit Includes	Box and lid
Available accessories	Dual door kit, mount plates, integral lock, vents, wall mounts

SOLID LID	CLEAR LID	LENGTH	WIDTH	HEIGHT
CHDX8-221	CHDX8-221C	260mm	110mm	75mm
CHDX8-222	CHDX8-222C	260mm	110mm	100mm
CHDX8-223	CHDX8-223C	185mm	135mm	85mm
CHDX8-224	CHDX8-224C	185mm	135mm	100mm
CHDX8-225	CHDX8-225C	220mm	170mm	110mm
CHDX8-226	CHDX8-226C	270mm	170mm	110mm
CHDX8-227	CHDX8-227C	300mm	200mm	150mm
CHDX8-228	CHDX8-228C	300mm	200mm	180mm
CHDX8-229	CHDX8-229C	210mm	210mm	100mm
CHDX8-230	CHDX8-230C	350mm	250mm	180mm
CHDX8-231	CHDX8-231C	300mm	300mm	180mm
CHDX8-232	CHDX8-232C	400mm	300mm	180mm
CHDX8-233	CHDX8-233C	500mm	400mm	200mm
CHDX8-234	CHDX8-234C	630mm	530mm	255mm
CHDX8-235	CHDX8-235C	830mm	630mm	185mm
CHDX8-236	CHDX8-236C	830mm	630mm	285mm

KEY FEATURES

Easy component maintenance | Heavy duty hinge | Brass inserts



PLASTIC ENCLOSURES

BELTRONICA

+44 (0)1638 716101 | sales@camdenboss.com | www.camdenboss.com

We operate a constant improvement policy, our products are subject to change without notice.

Vers 5



FM 28614

323

268
HANDHELD CASES

292
UNIVERSAL
PLASTIC
ENCLOSURES

317
HEAVY DUTY
AND ELECTRICAL
ENCLOSURES

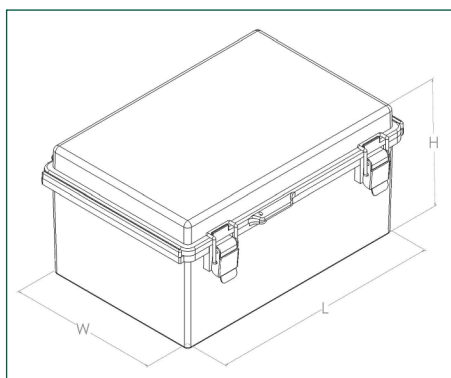
341
DEVELOPMENT
BOARD
ENCLOSURES

369
VERSATILE IOT
AND SENSOR
ENCLOSURES

X8 Series Waterproof Hinged Door Enclosure - ABS

Product overview

- Heavy duty hinge lid and latch enclosure
- Moulded in high quality ABS
- Pillars in the base can be used for PCB mounting or DIN rail mounting, etc.
- Brass inserts in the base
- Gasket moulded into the enclosure lid
- Clear lid option available
- Wall mounting accessories available
- Key lock latch accessories available
- X8 series meets the requirements of IP67 (equivalent to NEMA 6)
- IK08 impact tested



SPECIFICATION

Materials	ABS UL94-HB
Operating temperature	-40°C- to + 70°C
Protection class	X8 series has been tested and meets the requirements of IP67, IK08
Standard colours	Grey, transparent lid option
Standard unit Includes	Box and lid
Available accessories	Dual door kit, mount plates, integral lock, vents, wall mounts

SOLID LID	CLEAR LID	LENGTH	WIDTH	HEIGHT
CHDX8-321	CHDX8-321C	260mm	110mm	75mm
CHDX8-322	CHDX8-322C	260mm	110mm	100mm
CHDX8-323	CHDX8-323C	185mm	135mm	85mm
CHDX8-324	CHDX8-324C	185mm	135mm	100mm
CHDX8-325	CHDX8-325C	220mm	170mm	110mm
CHDX8-326	CHDX8-326C	270mm	170mm	110mm
CHDX8-327	CHDX8-327C	300mm	200mm	150mm
CHDX8-328	CHDX8-328C	300mm	200mm	180mm
CHDX8-329	CHDX8-329C	210mm	210mm	100mm
CHDX8-330	CHDX8-330C	350mm	250mm	180mm
CHDX8-331	CHDX8-331C	300mm	300mm	180mm
CHDX8-332	CHDX8-332C	400mm	300mm	180mm
CHDX8-333	CHDX8-333C	500mm	400mm	200mm
CHDX8-334	CHDX8-334C	630mm	530mm	255mm
CHDX8-335	CHDX8-335C	830mm	630mm	185mm
CHDX8-336	CHDX8-336C	830mm	630mm	285mm

KEY FEATURES

Easy component maintenance | PCB stand offs | Heavy duty hinge



BELTRONICA

+44 (0)1638 716101 | sales@camdenboss.com | www.camdenboss.com

We operate a constant improvement policy, our products are subject to change without notice.

Vers 5



FM 28614

ACCESSORIES

Vents to fit X6, X7 and X8 enclosures

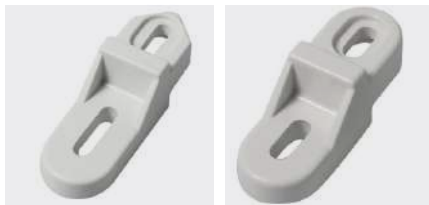
- Vents in two sizes for heat extraction
- The vent includes a gasket for water resistant applications
- Designed to meet the requirements of IP34



PART NO.	CUTOUT DIAMETER	MATERIAL
CHDA201V	63	Polycarbonate
CHDA202V	88	Polycarbonate
CHDA301V	63	ABS
CHDA302V	88	ABS

Mounting brackets to fit X6, X7 and X8 enclosures

- Brackets to mount each enclosure to any surface/wall
- See cross reference page 328 to select the correct size for your enclosure



PART NO.	SIZE	
CHDAPB014/4	1	Size 1 Bracket, 4x12 S/T Screw, 4pc kit
CHDAPB015/4	1	Size 1 Bracket, 5x12 S/T Screw, 4pc kit
CHDAPB025/4	2	Size 2 Bracket, M5x12 Screw, 4pc kit
CHDAPB025/6	2	Size 2 Bracket, M5x12 Screw, 6pc kit
CHDAPB026/6	2	Size 2 Bracket, M6x12 Screw, 6pc kit

Mounting plates to fit X6, X7 and X8 enclosures

- Material: Steel
- Mounting plates for each enclosure available
- See cross reference page 329 to select the correct size for your enclosure



PART NO.	LENGTH	WIDTH
CHDASMP21	65mm	95mm
CHDASMP22	65mm	115mm
CHDASMP23	65mm	165mm
CHDASMP24	65mm	235mm
CHDASMP25	101mm	161mm
CHDASMP26	159mm	159mm
CHDASMP27	159mm	248mm
CHDASMP28	248mm	348mm
CHDASMP29	295mm	395mm
CHDASMP30	85mm	232mm
CHDASMP32	129mm	179mm
CHDASMP33	129mm	224mm
CHDASMP34	170mm	266mm
CHDASMP35	179mm	179mm
CHDASMP36	216mm	316mm
CHDASMP37	262mm	262mm
CHDASMP38	265mm	365mm
CHDASMP39	358mm	458mm
CHDASMP40	450mm	555mm
CHDASMP41	550mm	755mm
CHDASMP42	248mm	248mm
CHDASMP43	248mm	308mm
CHDASMP44	232mm	535mm
CHDASMP45	345mm	535mm
CHDASMP46	159mm	348mm
CHDASMP49	65mm	65mm

268
HANDHELD CASES

292
UNIVERSAL ENCLOSURES

318
HEAVY DUTY AND ELECTRICAL ENCLOSURES

342
DESKTOP AND INSTRUMENT CASES

348
DEVELOPMENT BOARD ENCLOSURES

367
VERSATILE IOT AND SENSOR ENCLOSURES

370
CUSTOM SIZED ENCLOSURES

PLASTIC ENCLOSURES

ACCESSORIES

Dual door to fit the X8 enclosure

- Dual door available for some sizes
- Easy to assemble, sturdy construction
- See cross reference page 328 to select the correct size for your enclosure



PART NO.	KIT INCLUDES
CHDX807DD	4 legs, 1 door, 1 door handle, 1 frame, 8 screws
CHDX808DD	4 legs, 1 door, 1 door handle, 1 frame, 8 screws
CHDX810DD	4 legs, 1 door, 1 door handle, 1 frame, 8 screws
CHDX811DD	4 legs, 1 door, 1 door handle, 1 frame, 8 screws
CHDX812DD	4 legs, 1 door, 1 door handle, 1 frame, 8 screws
CHDX813DD	4 legs, 1 door, 1 door handle, 1 frame, 8 screws
CHDX814DD	4 legs, 1 door, 1 door handle, 1 frame, 8 screws

Lock to fit the X8 enclosure

- One or two locks can be fitted, depending on security level required
- See cross reference page 328 to select the correct size for your enclosure
- Moulded in high quality polycarbonate



PART NO.	SIZE
CHDA01IL	1
CHDA02IL	2
CHDA03IL	3
CHDA04IL	4

BELTRONICA

+44 (0)1638 716101 | sales@camdenboss.com | www.camdenboss.com

We operate a constant improvement policy, our products are subject to change without notice.

Vers 1



FM 28614

ACCESSORIES FOR X6, X7 AND X8 SERIES

ENCLOSURE PART NO.		W/MOUNT					LOCKS			DUAL DOOR							
POLY	ABS	CHDAPB014/4	CHDAPB015/4	CHDAPB025/4	CHDAPB025/6	CHDAPB026/6	CHDA01L	CHDA02L	CHDA03L	CHDA04L	CHDX807DD	CHDX808DD	CHDX80TODD	CHDX811DD	CHDX812DD	CHDX813DD	CHDX814DD
CHDX6-221	CHDX6-321		●														
CHDX6-222	CHDX6-322		●														
CHDX6-223	CHDX6-323		●														
CHDX6-224	CHDX6-324		●														
CHDX6-225	CHDX6-325		●														
CHDX6-226	CHDX6-326		●														
CHDX6-227	CHDX6-327		●														
CHDX6-228	CHDX6-328		●														
CHDX6-229	CHDX6-329		●														
CHDX6-230	CHDX6-330		●														
CHDX7-221	CHDX7-321			●													
CHDX7-222	CHDX7-322			●													
CHDX7-223	CHDX7-323			●													
CHDX7-224	CHDX7-324			●													
CHDX7-225	CHDX7-325			●													
CHDX7-226	CHDX7-326			●													
CHDX7-227	CHDX7-327			●													
CHDX7-228	CHDX7-328			●													
CHDX7-229	CHDX7-329			●													
CHDX7-230	CHDX7-330			●													
CHDX7-231	CHDX7-331			●													
CHDX7-232	CHDX7-332			●													
CHDX7-237	CHDX7-327																
CHDX8-221	CHDX8-321	●					●										
CHDX8-222	CHDX8-322	●					●										
CHDX8-223	CHDX8-333	●					●										
CHDX8-224	CHDX8-324	●					●										
CHDX8-225	CHDX8-325	●					●										
CHDX8-226	CHDX8-326	●					●										
CHDX8-227	CHDX8-327			●				●		●							
CHDX8-228	CHDX8-328			●				●			●						
CHDX8-229	CHDX8-329			●				●									
CHDX8-230	CHDX8-330			●				●				●					
CHDX8-231	CHDX8-331			●				●						●			
CHDX8-232	CHDX8-332			●				●							●		
CHDX8-233	CHDX8-333			●				●		●						●	
CHDX8-234	CHDX8-334				●					●							●
CHDX8-235	CHDX8-335					●				●							
CHDX8-236	CHDX8-336					●				●							

*Add 'c' suffix for clear lid versions



268
HANDHELD CASES

292
UNIVERSAL
ENCLOSURES

318
HEAVY DUTY
AND ELECTRICAL
ENCLOSURES

342
DESKTOP AND
INSTRUMENT
CASES

348
DEVELOPMENT
BOARD
ENCLOSURES

367
VERSATILE IOT
AND SENSOR
ENCLOSURES

370
CUSTOM SIZED
ENCLOSURES

ENCLOSURE PART NO.		MOUNTING PLATES																						
POLY	ABS	CHDASMP25	CHDASMP26	CHDASMP27	CHDASMP28	CHDASMP29	CHDASMP30	CHDASMP31	CHDASMP32	CHDASMP33	CHDASMP34	CHDASMP35	CHDASMP36	CHDASMP37	CHDASMP38	CHDASMP39	CHDASMP40	CHDASMP41	CHDASMP42	CHDASMP43	CHDASMP44	CHDASMP45	CHDASMP46	
CHDX6-229	CHDX6-329	●																						
CHDX6-230	CHDX6-330	●																						
CHDX7-221	CHDX7-321		●																					
CHDX7-222	CHDX7-322																							●
CHDX7-223	CHDX7-323																							●
CHDX7-224	CHDX7-324				●																			
CHDX7-225	CHDX7-325					●																		
CHDX7-226	CHDX7-326			●																				
CHDX7-227	CHDX7-327			●																				
CHDX7-228	CHDX7-328																		●					
CHDX7-229	CHDX7-329																				●			
CHDX7-230	CHDX7-330				●																			
CHDX7-231	CHDX7-331																					●		
CHDX7-232	CHDX7-332																						●	
CHDX8-221	CHDX8-321							●																
CHDX8-222	CHDX8-322							●																
CHDX8-223	CHDX8-323								●															
CHDX8-224	CHDX8-324								●															
CHDX8-225	CHDX8-325									●														
CHDX8-226	CHDX8-326										●													
CHDX8-227	CHDX8-327											●												
CHDX8-228	CHDX8-328												●											
CHDX8-229	CHDX8-329													●										
CHDX8-230	CHDX8-330														●									
CHDX8-231	CHDX8-331															●								
CHDX8-232	CHDX8-332																●							
CHDX8-233	CHDX8-333																	●						
CHDX8-234	CHDX8-334																		●					
CHDX8-235	CHDX8-335																			●				
CHDX8-236	CHDX8-336																				●			

*Add 'c' suffix for clear lid versions