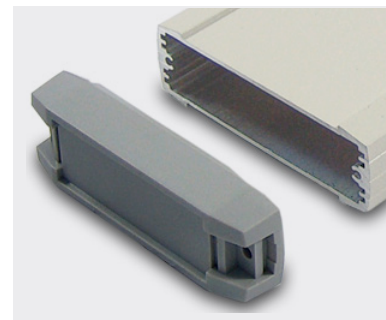
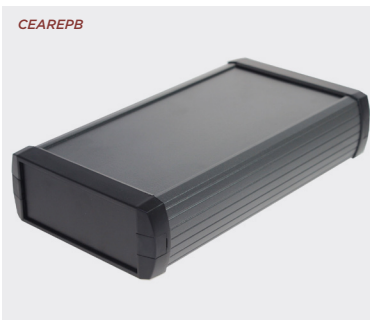


55 Series Extruded Diecast Enclosure

Product overview

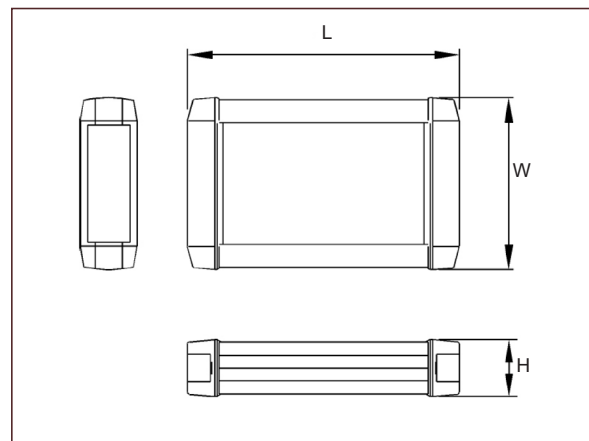
Aluminium extruded boxes with plastic end-caps for a range of applications such as, handheld industrial testing equipment, wireless diagnostic devices or portable industrial sensors and controls.

- Extruded aluminium profile
- Integral PCB mounting rails
- Front and rear plastic caps retained by 4x M3 screws
- Plastic screw covers for aesthetic appearance
- Recesses in lid and base for membrane keypads or overlays
- Textured sides



SPECIFICATION	
Materials	Extruded profile epoxy painted grade 6063 T5 tempered aluminium End caps and screw covers high grade ABS, UL94-V0
Standard colours	Profile light grey similar to RAL 9002 or black similar to RAL 9004 End caps and screw covers RAL 7044, light grey or RAL 9004, black
Standard unit includes	Profile, 2x end caps, 4x screw covers, 4x mounting screws

BLACK	LIGHT GREY	LENGTH	WIDTH	HEIGHT
CEAREPB01	CEAREPG01	130mm	82mm	27mm
CEAREPB02	CEAREPG02	160mm	82mm	27mm
CEAREPB03	CEAREPG03	160mm	102mm	37mm
CEAREPB04	CEAREPG04	190mm	102mm	37mm
CEAREPB05	CEAREPG05	190mm	122mm	47mm
CEAREPB06	CEAREPG06	220mm	122mm	47mm



KEY FEATURES

Aluminium profile | Lightweight | PCB mounting rails

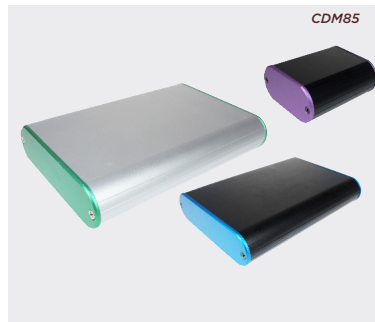


85 Series Rounded Extruded Enclosure

TAKACHI

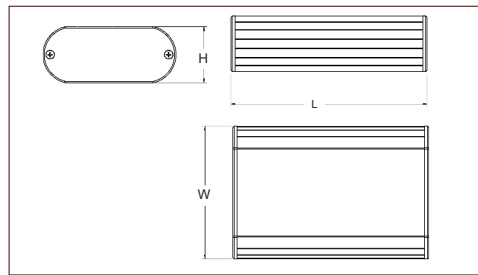
Product overview

- Extruded aluminium case
- Extrusion is split through the centre for ease of access
- Flush fitting two part extrusion
- Screw on end panels (coloured end panels available on request)
- PCB can slide into the enclosure (excludes sizes 1 and 3)
- Rubber feet supplied
- 85 series has been designed to meet the requirements of IP40



Coloured end panels available upon request

SPECIFICATION	
Materials	End panels - aluminium (anodised) Body - aluminium (anodised)
Standard colours	Black and silver
Standard unit includes	Base, end panels and 4 self tapping screws (coloured end panels available upon request)
IP rating	85 series has been designed to meet the requirements of IP40



SIZE	BLACK	SILVER	LENGTH	WIDTH	HEIGHT
1	CDM8501BK	CDM8501SL	49mm	48mm	13mm
3	CDM8503BK	CDM8503SL	109mm	48mm	13mm
5	CDM8505BK	CDM8505SL	74mm	41mm	15mm
9	CDM8509BK	CDM8509SL	96mm	57mm	18mm
12	CDM8512BK	CDM8512SL	114mm	70mm	20mm
14	CDM8514BK	CDM8514SL	94mm	82mm	24mm
18	CDM8518BK	CDM8518SL	144mm	100mm	16mm
20	CDM8520BK	CDM8520SL	112mm	110mm	30mm
24	CDM8524BK	CDM8524SL	112mm	70mm	35mm
27	CDM8527BK	CDM8527SL	140mm	95mm	40mm
30	CDM8530BK	CDM8530SL	200mm	130mm	35mm

KEY FEATURES

Extruded aluminium | Two part extrusion



Avenida de Somosierra, 22E - 6 y 7
E-28703 S.S. de los Reyes (Madrid)
Tel. +34 916 591 900 · www.drilco.net



+44 (0)1638 716101 | sales@camdenboss.com | www.camdenboss.com

We operate a constant improvement policy, our products are subject to change without notice.

Vers 2

BELTRONICA

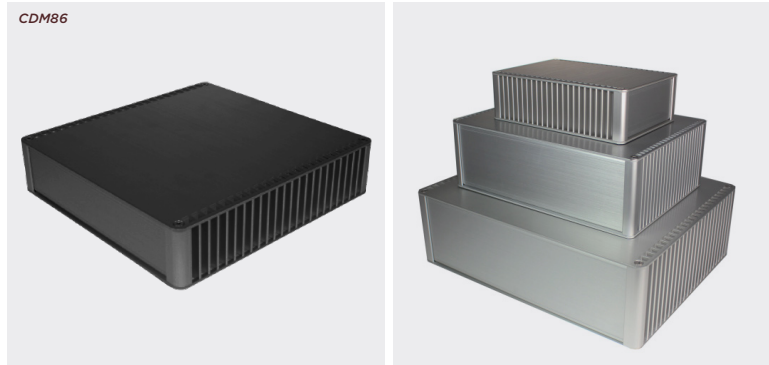
86 Series Heatsink Aluminium Enclosure



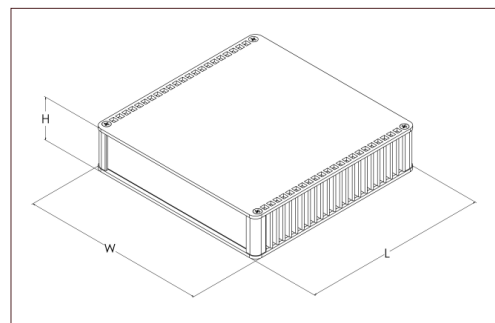
Product overview

Stylish aluminium heatsink cases.

- Heatsink is incorporated into the side plate
- Audio style aluminium enclosures
- Available in 12 sizes in black and silver
- Easily customised and light weight
- 86 series has been designed to meet the requirements of IP40



SPECIFICATION	
Materials	Lid and body - aluminium (anodised)
Standard colours	Silver and black
Standard unit includes	Rubber feet and screws, lid and base
IP rating	86 series has been designed to meet the requirements of IP40



BLACK PART NO.	LENGTH	WIDTH	HEIGHT
CDM8601BK	130mm	89mm	20mm
CDM8602BK	130mm	89mm	40mm
CDM8603BK	130mm	130mm	30mm
CDM8604BK	130mm	130mm	50mm
CDM8605BK	130mm	180mm	40mm
CDM8606BK	130mm	180mm	60mm
CDM8607BK	180mm	128mm	30mm
CDM8608BK	180mm	128mm	50mm
CDM8609BK	180mm	174mm	40mm
CDM8610BK	180mm	174mm	60mm
CDM8611BK	180mm	228mm	50mm
CDM8612BK	180mm	228mm	70mm

SILVER PART NO.	LENGTH	WIDTH	HEIGHT
CDM8601SL	130mm	89mm	20mm
CDM8602SL	130mm	89mm	40mm
CDM8603SL	130mm	130mm	30mm
CDM8604SL	130mm	130mm	50mm
CDM8605SL	130mm	180mm	40mm
CDM8606SL	130mm	180mm	60mm
CDM8607SL	180mm	128mm	30mm
CDM8608SL	180mm	128mm	50mm
CDM8609SL	180mm	174mm	40mm
CDM8610SL	180mm	174mm	60mm
CDM8611SL	180mm	228mm	50mm
CDM8612SL	180mm	228mm	70mm

KEY FEATURES

Ideal for audio applications | Lightweight | Stylish



Avenida de Somosierra, 22E - 6 y 7
E-28703 S.S. de los Reyes (Madrid)
Tel. +34 916 591 900 · www.drilco.net

BELTRONICA

+44 (0)1638 716101 | sales@camdenboss.com | www.camdenboss.com

We operate a constant improvement policy, our products are subject to change without notice.

Vers 2



FM 28614

88 Series IP67 Heatsink Case

TAKACHI

Product overview

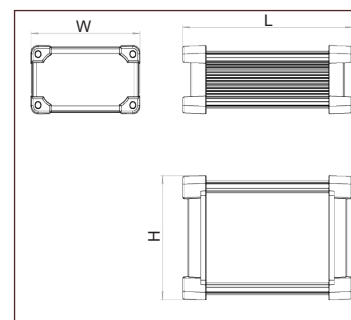
IP67, EMC shielded aluminium heatsink enclosures.

- Heavy duty enclosure, heatsink extrusion body and diecast panels
- EMI-shielded (non-shielded available upon request)
- PCB or chassis are horizontally mountable by sliding into grooved inner body frame
- Designed for tough environments; heavy duty, waterproof and resistant to high temperatures
- Suitable for measuring instruments, industrial controls, industrial camera housing
- 88 series has been designed to meet the requirements of IP67



SPECIFICATION	
Material	Lid - aluminium (powder coated) Body - aluminium (anodised)
Protection class	88 series has been designed to meet the requirements of IP67
Operating temperature	-40°C to +105°C
Standard colours	Black or silver
Standard unit includes	x2 ends, body 8x steel screws IP casting in hole

SIZE	BLACK	SILVER	LENGTH	WIDTH	HEIGHT
2	CDM8802BK	CDM8802SL	110mm	65.8mm	65.8mm
4	CDM8804BK	CDM8804SL	200mm	65.8mm	65.8mm
7	CDM8807BK	CDM8807SL	115mm	80.8mm	45.8mm
9	CDM8809BK	CDM8809SL	175mm	80.8mm	45.8mm
11	CDM8811BK	CDM8811SL	125mm	86.3mm	86.3mm
13	CDM8813BK	CDM8813SL	220mm	86.3mm	86.3mm
16	CDM8816BK	CDM8816SL	150mm	106.3mm	56.3mm
18	CDM8818BK	CDM8818SL	240mm	106.3mm	56.3mm
20	CDM8820BK	CDM8820SL	175mm	156.3mm	81.3mm
22	CDM8822BK	CDM8822SL	275mm	156.3mm	81.3mm



ACCESSORIES

Silicone boots

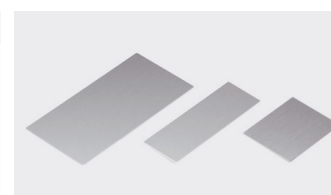
BLACK	LENGTH	WIDTH	HEIGHT	DESCRIPTION
CDM88B1BK	31mm	72.4mm	73.6mm	Suits sizes 2 and 4
CDM88B2BK	31mm	87.4mm	53.6mm	Suits sizes 7 and 9
CDM88B3BK	35.5mm	93.9mm	95.1mm	Suits sizes 11 and 13
CDM88B4BK	35.5mm	113.9mm	65.1mm	Suits sizes 16 and 18
CDM88B5BK	35.5mm	163.9mm	90.1mm	Suits sizes 20 and 22



Other colours available on request

Mounting plates

PART NO.	LENGTH	WIDTH	DESCRIPTION	PART NO.	LENGTH	WIDTH	DESCRIPTION
CDM88MP02	94mm	47mm	Suits size 2	CDM88MP13	201mm	66.5mm	Suits size 13
CDM88MP04	184mm	47mm	Suits size 4	CDM88MP16	130.6mm	86.5mm	Suits size 16
CDM88MP07	99mm	61.8mm	Suits size 7	CDM88MP18	220.6mm	86.5mm	Suits size 18
CDM88MP09	159mm	61.8mm	Suits size 9	CDM88MP20	155.6mm	136.3mm	Suits size 20
CDM88MP11	106mm	66.5mm	Suits size 11	CDM88MP22	255.6mm	136.3mm	Suits size 22



BELTRONICA

+44 (0)1638 716101 | sales@camdenboss.com | www.camdenboss.com

We operate a constant improvement policy, our products are subject to change without notice.

Vers 1



FM 28614

88 Series Waterproof Heatsink Aluminium Enclosure



Product overview

IP67, EMC shielded aluminium heatsink enclosures.

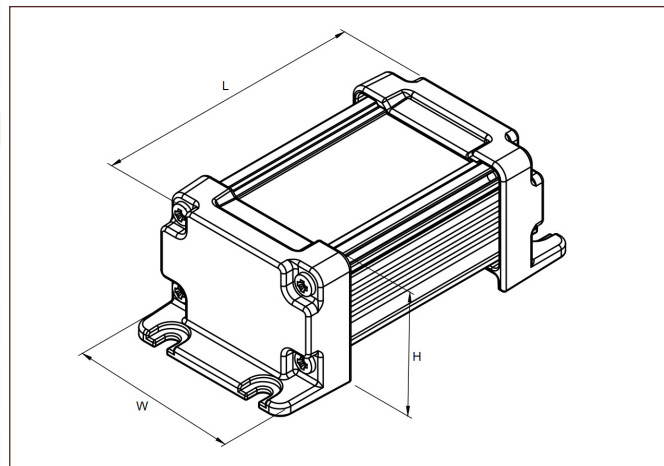
- Heavy duty enclosure, heatsink extrusion body and diecast panels, wall mounting
- EMI-shielded (non-shielded available upon request)
- PCB or chassis are horizontally mountable by sliding into grooved inner body frame
- Designed for tough environments; heavy duty, waterproof and resistant to high temperatures.
- Suitable for measuring instruments, industrial controls, industrial camera housing
- 88 series has been designed to meet the requirements of IP67



SIZE	BLACK	LENGTH	WIDTH	HEIGHT
2	CDM8802BK/FL	110mm	65.8mm	70.8mm
4	CDM8804BK/FL	200mm	65.8mm	70.8mm
7	CDM8807BK/FL	115mm	80.8mm	50.8mm
9	CDM8809BK/FL	175mm	80.8mm	50.8mm
11	CDM8811BK/FL	125mm	86.3mm	92mm
13	CDM8813BK/FL	220mm	86.3mm	92mm
16	CDM8816BK/FL	150mm	106.3mm	62mm
18	CDM8818BK/FL	240mm	106.3mm	62mm
20	CDM8820BK/FL	175mm	156.3mm	87mm
22	CDM8822BK/FL	275mm	156.3mm	87mm

SPECIFICATION	
Material	Ends - aluminium (powder coated) Body - aluminium (anodised)
Protection class	88 series has been designed to meet the requirements of IP67
Operating temperature	-40°C to +105°C
Standard colours	Black or silver
Standard unit includes	2x ends, body 8x steel screws IP casting in hole

SIZE	SILVER	LENGTH	WIDTH	HEIGHT
2	CDM8802SL/FL	110mm	65.8mm	70.8mm
4	CDM8804SL/FL	200mm	65.8mm	70.8mm
7	CDM8807SL/FL	115mm	80.8mm	50.8mm
9	CDM8809SL/FL	175mm	80.8mm	50.8mm
11	CDM8811SL/FL	125mm	86.3mm	92mm
13	CDM8813SL/FL	220mm	86.3mm	92mm
16	CDM8816SL/FL	150mm	106.3mm	62mm
18	CDM8818SL/FL	240mm	106.3mm	62mm
20	CDM8820SL/FL	175mm	156.3mm	87mm
22	CDM8822SL/FL	275mm	156.3mm	87mm



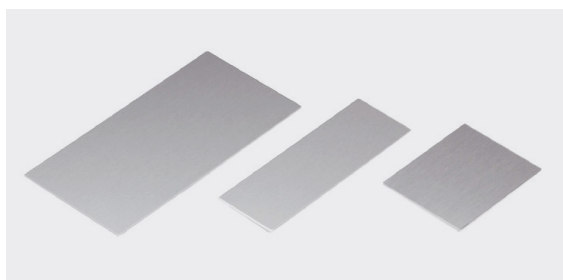
KEY FEATURES

Heat resistant | Highly waterproof | Wall mounting



ACCESSORIES

Mounting plates



PART NO.	LENGTH	WIDTH	DESCRIPTION
CDM88MP02	94mm	47mm	Suits size 2
CDM88MP04	184mm	47mm	Suits size 4
CDM88MP07	99mm	61.8mm	Suits size 7
CDM88MP09	159mm	61.8mm	Suits size 9
CDM88MP11	106mm	66.5mm	Suits size 11
CDM88MP13	201mm	66.5mm	Suits size 13
CDM88MP16	130.6mm	86.5mm	Suits size 16
CDM88MP18	220.6mm	86.5mm	Suits size 18
CDM88MP20	155.6mm	136.3mm	Suits size 20
CDM88MP22	255.6mm	136.3mm	Suits size 22

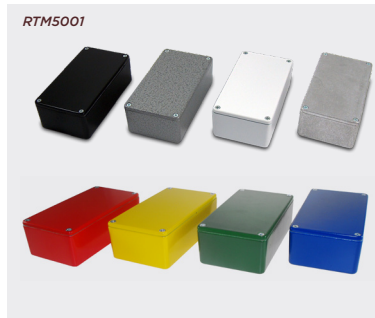


5000 Series Multipurpose Diecast

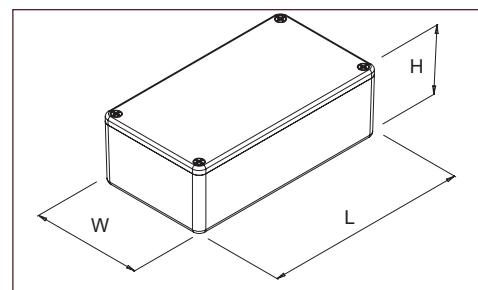
Product overview

Highly durable robust aluminium diecast boxes with RFI shielding properties.

- Diecast aluminium
- Lid mounted by four M3 machine screws
- Temperature resistant up to 260°C (without gasket)
- Highly durable and shock resistant
- Vertical guides for PCB fixing
- Optional neoprene gasket for IP65 seal
- Enclosure screws can be used with the wall mount kit
- 5000 series has been designed to meet the requirements of IP54 or additionally, IP65 with the gasket accessory



SPECIFICATION	
Materials	Lid and base diecast aluminium to ENAC 44200
Protection class	5000 series has been designed to meet the requirements of IP54 or additionally, IP65 with the gasket accessory
Standard colours	Black RAL 9005, white RAL 9016, natural, hammetone, red RAL 3020, yellow RAL 1023, blue RAL 5005 and green RAL 6001
Standard unit includes	Base, lid and x4 zinc plated M3 screw
Options	Wall mounting kit IP65 gasket



NATURAL	HAMMERTONE	BLACK	WHITE	LENGTH	WIDTH	HEIGHT
RTM5001/11-NAT	RTM5001/11-PAT	RTM5001/11-BLK	RTM5001/11-WH	50mm	50mm	31mm
RTM5002/12-NAT	RTM5002/12-PAT	RTM5002/12-BLK	RTM5002/12-WH	101mm	50mm	25mm
RTM5003/13-NAT	RTM5003/13-PAT	RTM5003/13-BLK	RTM5003/13-WH	112mm	62mm	31mm
RTM5004/14-NAT	RTM5004/14-PAT	RTM5004/14-BLK	RTM5004/14-WH	120mm	66mm	40mm
RTM5005/15-NAT	RTM5005/15-PAT	RTM5005/15-BLK	RTM5005/15-WH	152mm	82mm	50mm
RTM5006/16-NAT	RTM5006/16-PAT	RTM5006/16-BLK	RTM5006/16-WH	192mm	112mm	61mm
RTM5007/17-NAT	RTM5007/17-PAT	RTM5007/17-BLK	RTM5007/17-WH	121mm	95mm	61mm



RED	YELLOW	BLUE	GREEN	LENGTH	WIDTH	HEIGHT
RTM5001/11-RED	RTM5001/11-YEL	RTM5001/11-BLU	RTM5001/11-GRN	50mm	50mm	31mm
RTM5002/12-RED	RTM5002/12-YEL	RTM5002/12-BLU	RTM5002/12-GRN	101mm	50mm	25mm
RTM5003/13-RED	RTM5003/13-YEL	RTM5003/13-BLU	RTM5003/13-GRN	112mm	62mm	31mm
RTM5004/14-RED	RTM5004/14-YEL	RTM5004/14-BLU	RTM5004/14-GRN	120mm	66mm	40mm
RTM5005/15-RED	RTM5005/15-YEL	RTM5005/15-BLU	RTM5005/15-GRN	152mm	82mm	50mm
RTM5006/16-RED	RTM5006/16-YEL	RTM5006/16-BLU	RTM5006/16-GRN	192mm	112mm	61mm
RTM5007/17-RED	RTM5007/17-YEL	RTM5007/17-BLU	RTM5007/17-GRN	121mm	95mm	61mm



KEY FEATURES

Highly durable | RFI shielding properties | Shock resistant



Avenida de Somosierra, 22E - 6 y 7
E-28703 S.S. de los Reyes (Madrid)
Tel. +34 916 591 900 · www.drilco.net

BELTRONICA

+44 (0)1638 716101 | sales@camdenboss.com | www.camdenboss.com

We operate a constant improvement policy, our products are subject to change without notice.

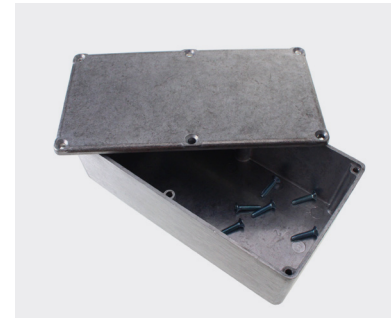
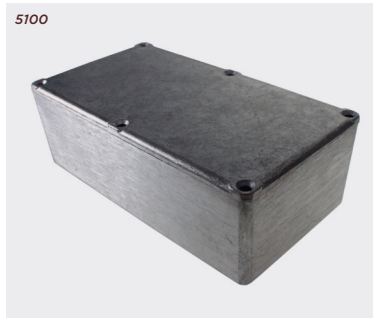


5100 series project diecast

Product overview

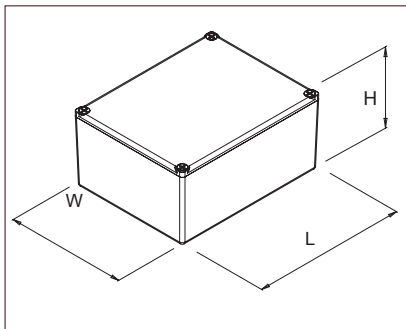
Economy aluminium diecast boxes. Ideal for RF circuit designs and mounting pneumatic or hydraulic equipment.

- Diecast aluminium
- Temperature resistance to 300°C
- Material functions as a screening layer and heatsink
- Robust and light weight
- Easily machined and customised
- Smooth surface and edges
- Close fitted flanged lids using self tapping screws
- 5100 series has been designed to meet the requirements of IP54



SPECIFICATION	
Materials	Diecast aluminium BS 1490 LM24
Protection class	5100 series has been designed to meet the requirements of IP54
Standard colours	Natural finish as standard Hammerstone and powder coating optional
Standard unit includes	Base, lid and 4x self-tapping screws

NATURAL RAL	LENGTH	WIDTH	HEIGHT
5100-470	51mm	51mm	32mm
5100-123	92mm	38mm	31mm
5100-471	110mm	82mm	44mm
5100-124	111mm	60mm	31mm
5100-479	111mm	60mm	54mm
5100-473	119mm	94mm	34mm
5100-234	119mm	94mm	56mm
5100-472	121mm	80mm	60mm
5100-474	121mm	121mm	60mm
5100-475	121mm	121mm	96mm
5100-476	152mm	82mm	51mm
5100-477	187mm	119mm	38mm
5100-247	187mm	119mm	56mm
5100-347	187mm	119mm	82mm
5100-478	190mm	190mm	67mm



KEY FEATURES

Diecast aluminum | Robust | Temperature resistance to 300°C



Avenida de Somosierra, 22E - 6 y 7
E-28703 S.S. de los Reyes (Madrid)
Tel. +34 916 591 900 · www.drilco.net

BELTRONICA

+44 (0)1638 716101 | sales@camdenboss.com | www.camdenboss.com

We operate a constant improvement policy, our products are subject to change without notice.

Vers 1

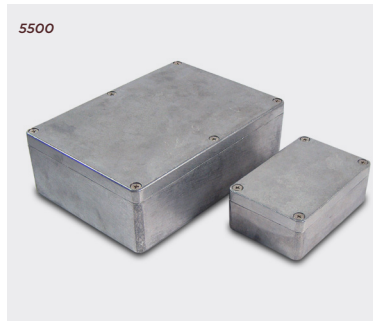


5500 Series Waterproof Diecast Enclosure

Product overview

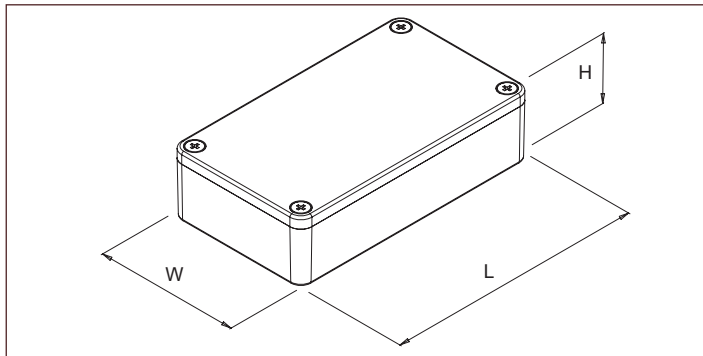
Heavy duty aluminium diecast boxes for industrial, control and mechanical engineering applications. Ideal for extreme conditions.

- Aluminium alloy
- Tongue and groove construction
- Lid incorporates a recessed gasket seal
- PCB pillars in base
- Low draft angle provides for maximum internal volume
- 5500 series has been designed to meet the requirements of IP65 (with supplied neoprene gasket)



SPECIFICATION	
Materials	Aluminium alloy ADC-12 (Al - Si - Cu based alloy)
Protection class	5500 series has been designed to meet the requirements of IP65 (neoprene gasket provided for IP65 seal)
Standard colours	Natural as standard Hammerstone or powder coating optional
Standard unit includes	Case, lid, neoprene gasket, 4x fixing screws

NATURAL RAL	LENGTH	WIDTH	HEIGHT
5500-04	64mm	58mm	35mm
5500-02	90mm	36mm	30mm
5500-06	115mm	65mm	30mm
5500-11	115mm	65mm	55mm
5500-13	115.25mm	90.5mm	55.7mm
5500-37	121mm	121mm	101mm
5500-15	148mm	108mm	75mm
5500-39	159mm	159mm	102mm
5500-20	171mm	121mm	55mm
5500-24	222mm	146mm	55mm
5500-25	222mm	146mm	82mm



KEY FEATURES

Alumunium alloy | Neoprene gasket for IP65 seal | PCB pillars

