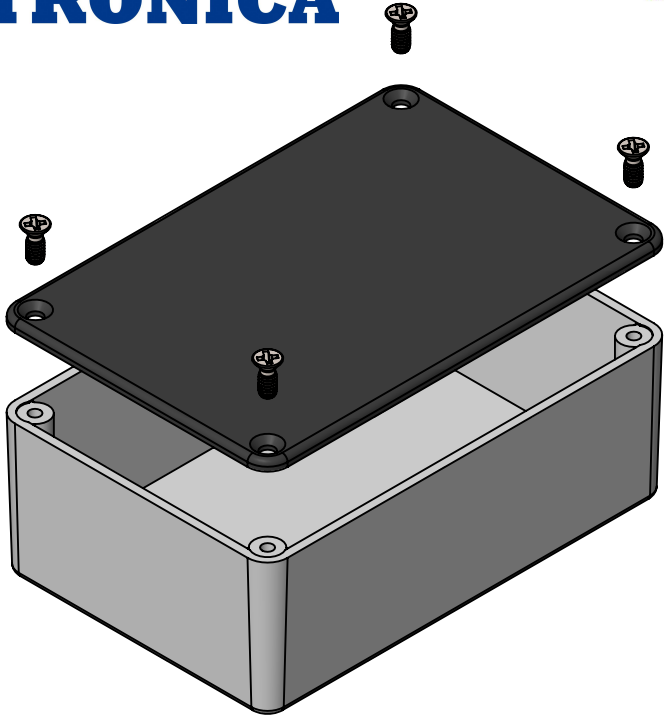


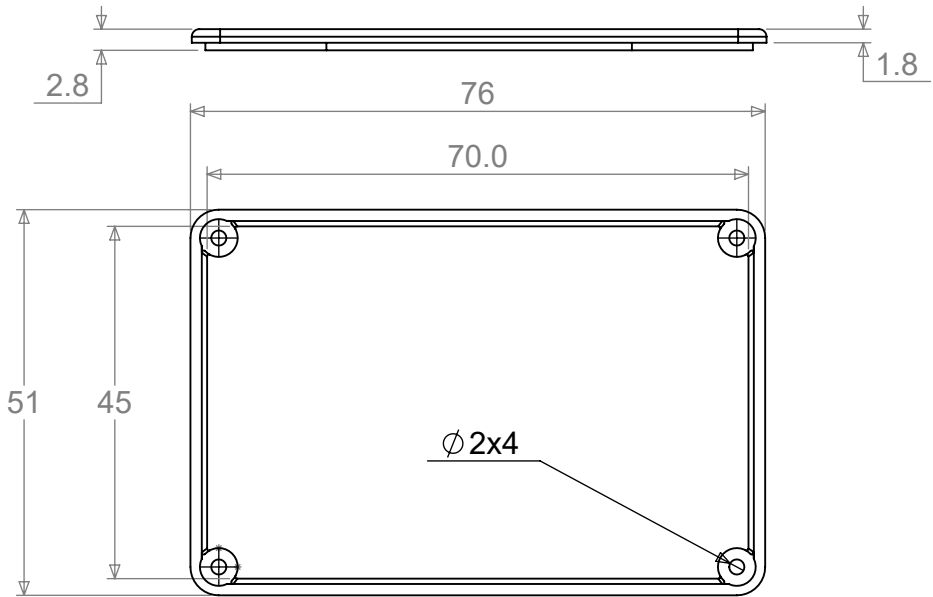
REV	1	DATE	ECN NUMBER	ECR COMMENT	2	3	4	5	6	7
005		21 Jul 2020	C04677							
004		07 Jul 2020	C04677	ADD RAL NUMBER AND COLOUR DESCRIPTION						

# BELTRONICA

Avenida de Somo Sierra, 22 - naves E 6 y 7 - P. E. Inbisa I  
 E528703 San Sebastián de los Reyes (Madrid)  
 Teléfono / Phone: +34 916 381 331



PART NUMBER	COLOUR	RAL No	RAL COLOUR
479-0140-0	CLEAR	N/A	CLEAR
479-0140-1	BLACK	RAL9005	JET BLACK
479-0140-2	BLUE	RAL5002	ULTRAMARINE BLUE
479-0140-3	BROWN	RAL8011	NUT BROWN
479-0140-4	GREEN	RAL6024	TRAFFIC GREEN
479-0140-5	RED	RAL3020	TRAFFIC RED
479-0140-6	WHITE	RAL9003	SIGNAL WHITE
479-0140-7	YELLOW	RAL1021	COLZA YELLOW
479-0140-8	PURPLE	RAL4005	BLUE LILAC
479-0140-9	GREY	RAL7046	TELEGREY2
479-0140-10	ORANGE	RAL2003	PASTEL ORANGE
479-0140-11	CREAM	RAL1015	LIGHT IVORY



- INJECTION MOULDED ENCLOSURE
- DIMENSIONS 76 X 51 X 28mm
- IMPACT RESISTANT ABS
- IP54 RATED
- RoHS & REACH COMPLIANT
- SMOOTH GLOSSY SURFACE FINISH
- LID SECURED BY SELF-TAPPING SCREWS
- EASILY MACHINED

### OPTIONAL EXTRAS

Self adhesive feet 12mm round x 4mm deep part no - FIX173  
 Also available in anti-static material

