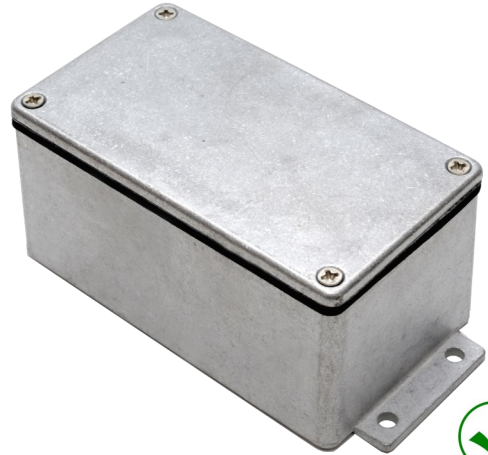


## IP68 General Purpose Enclosures Technical Specification

Sealed to IP68, this series is ideal for placement in demanding environments where protection may be required for complete immersion in water of up to 5 metres for 1 hour.

15 sizes are available, complete with silicone gasket, captive screws, earth screws and PCB guides on selected sizes. Nine sizes are also available with flanges for easy mounting.

Deltron Enclosures can customise any enclosure in our UK factory, including machining, painting, finishing, component sourcing and installation to meet your specification, save time and cut your costs. View our Services page on our website for more information.



**For more information:**

Phone: +44 (0)1724 273206

### Features:

- IP68 Rated
- Manufactured from ADC12
- Certified to BS EN 60529:1992
- RoHS Compliant
- Silicone Seal

### Typical Applications:

- Marine
- Water Treatment
- Security
- Food Processing
- Leisure Facilities

### Available Dimensions:

89 x 35 x 31*	114 x 64 x 31*
114 x 89 x 56*	114 x 65 x 56*
172 x 121 x 56*	172 x 121 x 107*
222 x 146 x 56*	222 x 146 x 107
275 x 175 x 66	140 x 102 x 77*
165 x 127 x 77	120 x 100 x 36*
250 x 250 x 100	80 x 55 x 26
60 x 55 x 31	*= Available with Flanges

**Finishes:** Plain Aluminium, Powder or Nylon coat.

**Coating Colours:** Grey, Blue or Black.

**Spares:** Gaskets and Screws.

Or choose to have your enclosure customised for bespoke finishes and colours.

### DEM Manufacturing

Deltron Emcon House,  
Hargreaves Way,  
Sawcliffe Industrial Park,  
Scunthorpe, DN15 8RF.

### BELTRONICA

NUEVA DIRECCIÓN / NEW ADDRESS

Avenida de Somosierra, 22 - Naves E 6 y 7 - P. E. Inbisa I

San Sebastián de los Reyes - ES 28703 - Madrid

Tel / Phone: +34 916 381 331 - comercial@beltronica.es

**DELTRON** Enclosures

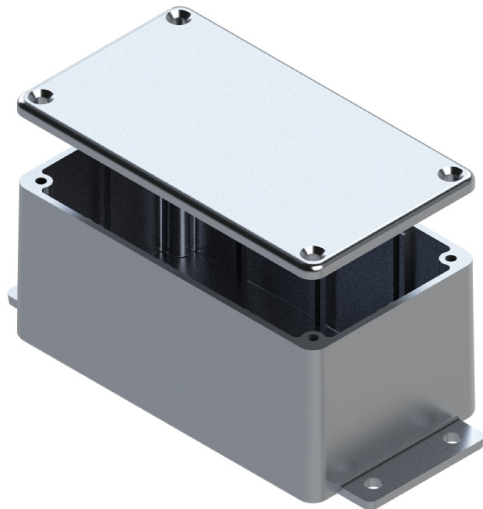
Web: [www.dem-uk.com/deltron-enclosures](http://www.dem-uk.com/deltron-enclosures)

Tel: +44 (0) 1724 273206

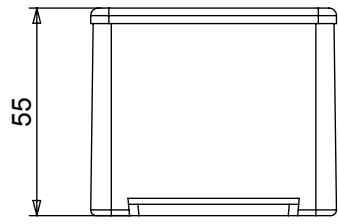
Fax: +44 (0) 1724 280353

Email: [sales@dem-uk.com](mailto:sales@dem-uk.com)

REV	1	DATE	ECN NUMBER	ECR COMMENT	3	4	5	6	7
004		06 Jun 2017	C03614	TORQUE SETTINGS ADDED					

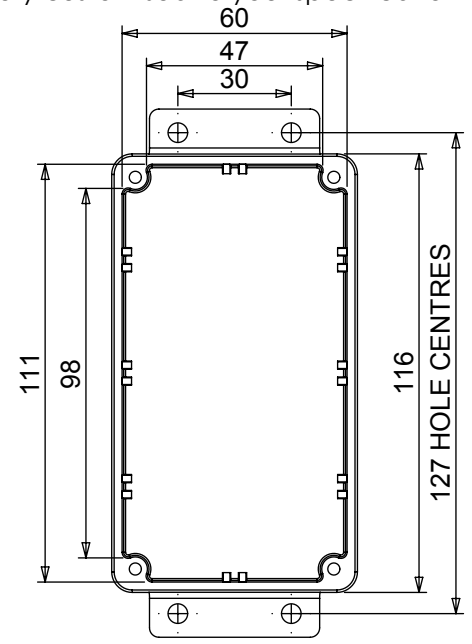
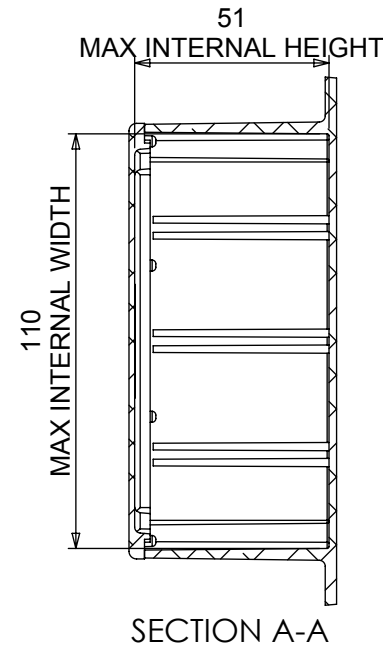
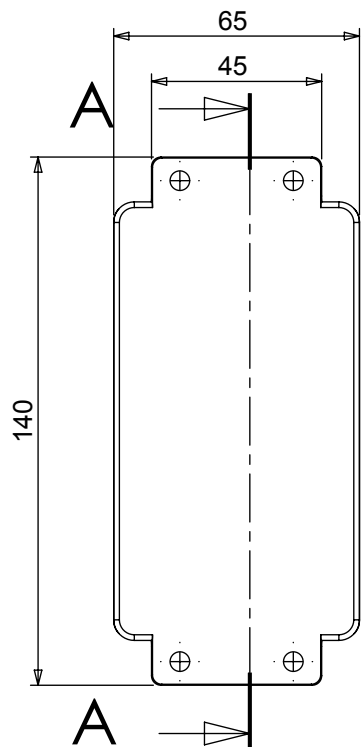
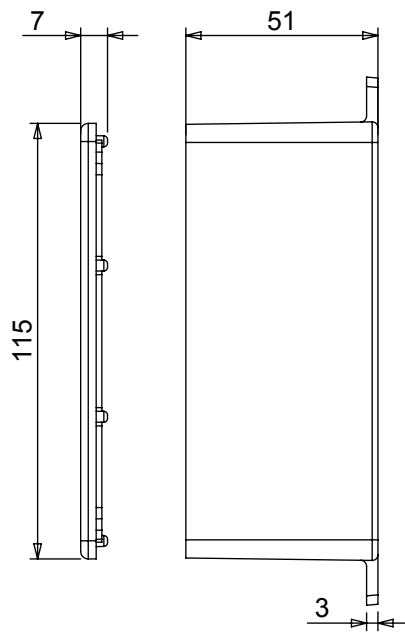


FLG LENGTH	LENGTH	WIDTH	HEIGHT	SEAL	TORQUE SETTINGS	PLAIN	POWDER COAT	NYLON COAT
140	116	65	55	NONE	NONE	455-0040	457-0040*	458-0040*
				IP66	0.3Nm	456-0040	463-0040*	464-0040*
				IP68	0.7Nm	483-0040	484-0040*	485-0040*
				IP68 EMI/RFI	1.0Nm	483-C040	484-C040*	485-C040*
BOX DIMENSION IN MM				COLOUR OPTION - COLOUR SUFFIX * GREY=A / BLUE=B / BLACK = E				



**STANDARD DUTY ENCLOSURE**

- Material grade ADC12/LM2 Die Cast Alloy
- IP Rated available
- Min wall thickness 1.5mm
- Min lid thickness 1.5mm
- Fine textured powder coating and smooth nylon
- Screws stainless steel
- IP68 Tested to 5 metres for 1 hour
- Includes internal PCB guides
- Enclosures can be supplied fully factory customised to your specification



		<p><b>PROPRIETARY AND CONFIDENTIAL:</b>          THE INFORMATION CONTAINED IN THIS DRAWING IS THE SOLE PROPERTY OF ALPHA 3 MANUFACTURING. ANY REPRODUCTION IN PART OR AS A WHOLE WITHOUT THE WRITTEN PERMISSION OF ALPHA 3 MANUFACTURING IS PROHIBITED.</p> <p>DEM Manufacturing is a division of Alpha 3 Manufacturing LTD          DEM Manufacturing, Deltron Emcon House, Hargreaves Way, Sawcliffe Ind. Park, Scunthorpe, North Lincolnshire, DN15 8RF, UK</p>		<p>UNLESS OTHERWISE SPECIFIED DIMENSIONS ARE IN MILLIMETRES          LINEAR &amp; RADIAL TOLERANCE:  <b>NO DECIMAL PLACES</b>  <b>1 DECIMAL PLACE</b>  <b>2 DECIMAL PLACES</b>  <b>ANGULAR TOLERANCE:</b></p>		<p><b>IF IN DOUBT ASK! DO NOT SCALE DRAWING!</b></p> <p>FINISH: SEE NOTES          MATERIAL: ALUMINIUM ALLOY          THE FINISHED PRODUCT SHOULD BE CLEAN AND FREE FROM ALL LIQUIDS AND DEBRIS. SURFACES SHOULD BE OF UNIFORM APPEARANCE FREE FROM SHARP EDGES, BURRS AND CORROSION</p>		<p>AUTHOR: Alex Yau          EDITOR: DT          APPROVER: DT</p>		<p>TITLE: FLANGED ENCLOSURE          FILE: D FLG ENCLOSURE          PART: BOX &amp; LID ASSEMBLY</p>	
<p>+44(0)1724 273200          www.dem-uk.com</p>		<p>THIRD ANGLE PROJECTION</p>		<p>SHEET 1 OF 1          SCALE 1:2 A4</p>		<p>ISSUE/REV. 004          VERSION 11          RELEASED          EDIT DATE 06 Jun 2017</p>					