

**LOCK SWITCH**

**CKIS IMPULSION LOCK SWITCH WITH BRACKETED CK SWITCH MODULE**

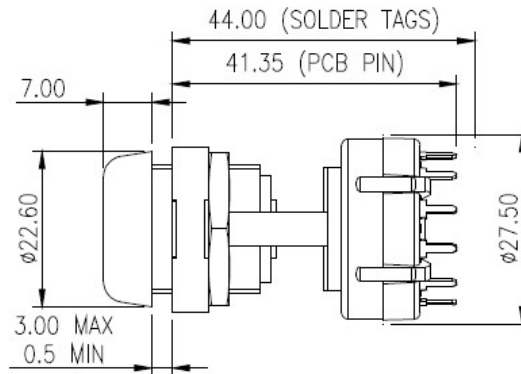
**ELECTRICAL & MECHANICAL SPECIFICATION**

<b>Switch Rating:</b>	1A @ 24V dc	<b>Life:</b>	>10,000 Cycles
<b>Proof Voltage:</b>	1,500V ac (Initial)	<b>Lock Housing Material:</b>	Zinc Alloy Bright Cr Plated
<b>Insulation Resistance:</b>	>999 MΩ at 500V dc (Initial)	<b>Keys Material:</b>	Mild Steel Ni Plated
<b>Contact Resistance</b>	<20 mΩ (Initial)	<b>Housing Material:</b>	Polycarbonate
<b>Contact/Terminal Material:</b>	Brass CZ108 Ag Plated	<b>Wafer Material:</b>	Polyamide 6.6 G.F.V0 Rated
<b>Operating Temperature:</b>	-30°C to +85°C		

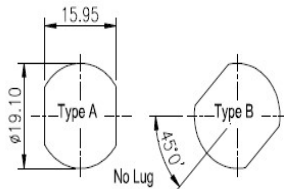
**FEATURES**

Spring Return	2 keys per switch as standard	All contacts are non-shorting	Two stage assembly: Lock through front and the module attaches by bracket from the inside
Single wafer switch	Key removeable at position 1	BBM (break before make)	
Up to 3 poles per switch	Common or differ keys	30°, 60° or 90° switch indexing-key free positions	
Solder or PCB terminals	200 combinations	2 position at 90° only	
Gold flashed or gold	Master key system available	3-disc lock	Max panel thickness 3.0mm

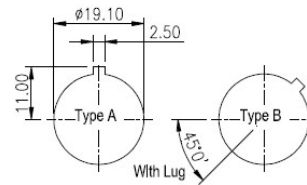
**CKIS IMPULSION LOCK AND BRACKETED CK MODULE**



PANEL  
PIERCING  
OPTIONS

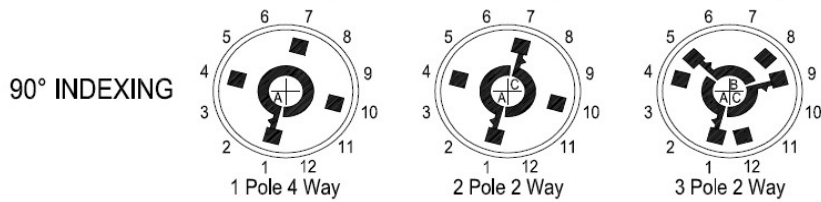


DOUBLE  
FLAT

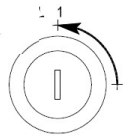


ROUND  
HOLE

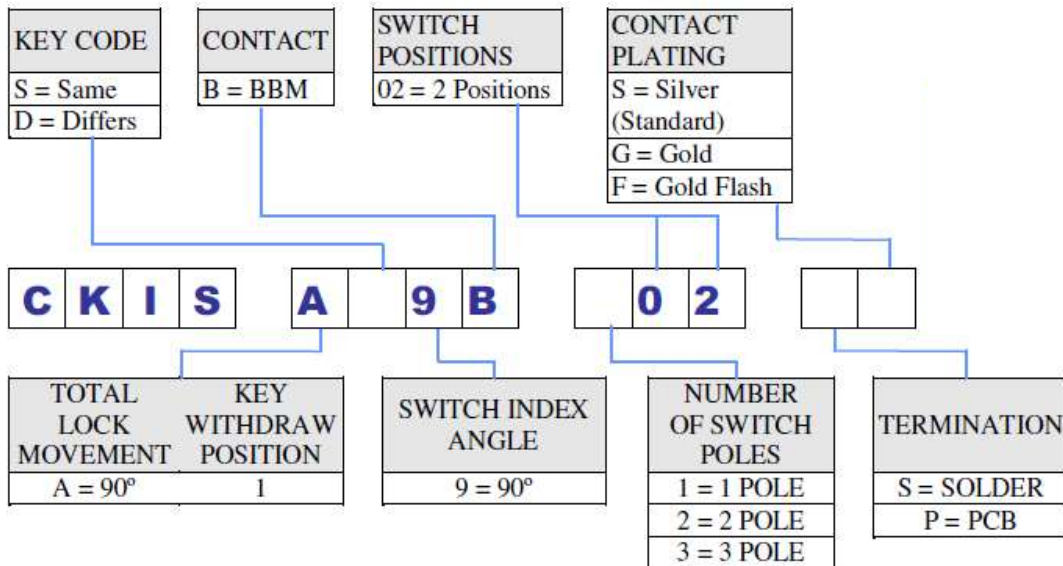
## CK MODULE TERMINAL LAYOUTS VIEWED FROM THE KEY 1 POSITION



## LOCK MOVEMENT AND KEY OUT POSITION



## ORDERING CODE



# BELTRONICA

NUEVA DIRECCIÓN / NEW ADDRESS

Avenida de Somosierra, 22 - Naves E 6 y 7 - P. E. Inbisa I

San Sebastián de los Reyes - ES 28703 - Madrid

Tel / Phone: +34 916 381 331 - [comercial@beltronica.es](mailto:comercial@beltronica.es)