

LOCK SWITCH

CKL8

CKL8 LOCK SWITCH WITH SNAP ON CK SWITCH MODULE

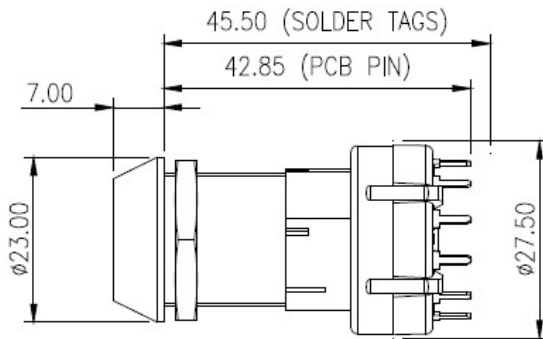
ELECTRICAL & MECHANICAL SPECIFICATION

Switch Rating:	1A @ 24V dc	Life:	>10,000 Cycles
Proof Voltage:	1,500V ac (Initial)	Lock Housing Material:	Zinc Alloy Bright Cr Plated
Insulation Resistance:	>999 MΩ at 500V dc (Initial)	Keys Material:	Mild Steel Ni Plated
Contact Resistance	<20 mΩ (Initial)	Housing Material:	Polycarbonate
Contact/Terminal Material:	Brass CZ108 Ag Plated	Wafer Material:	Polyamide 6.6 G.F V0 Rated
Operating Temperature:	-30°C to +85°C		

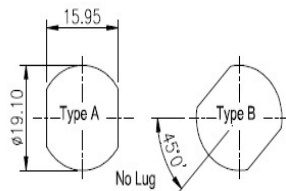
FEATURES

Single wafer switch	2 keys per switch as standard	All contacts are non-shorting BBM (break before make) 30°, 60° or 90° switch indexing	Two stage assembly: Lock through front and the module snaps on from the inside
Up to 4 poles per switch	Key inserted/removeable in 90° steps	8-disc lock	Max panel thickness 13.9mm
Solder or PCB terminals Gold flashed or gold plated also available	Common or differ keys 2000 combinations		

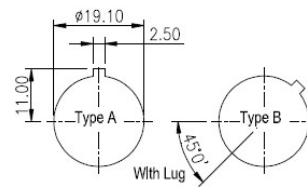
CKL8 LOCK AND SNAP ON CK MODULE



PANEL
PIERCING
OPTIONS



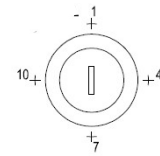
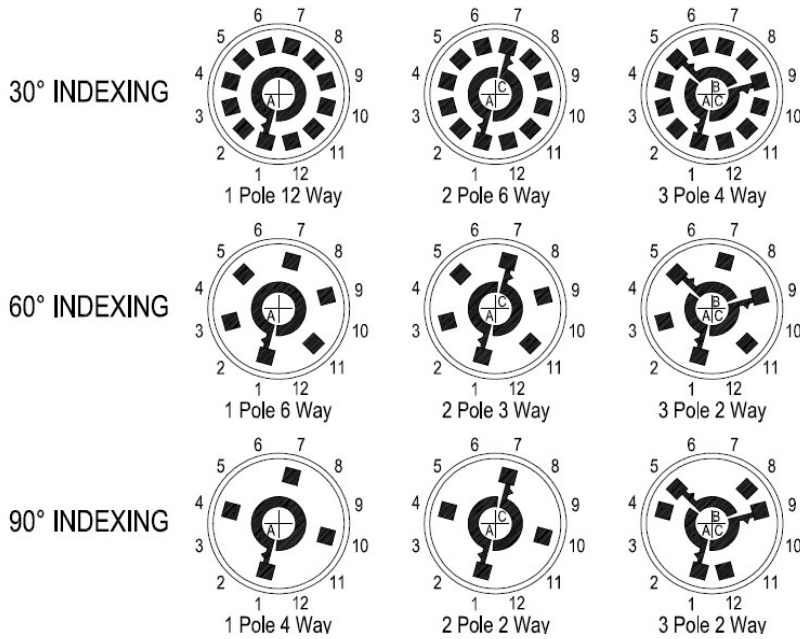
DOUBLE
FLAT



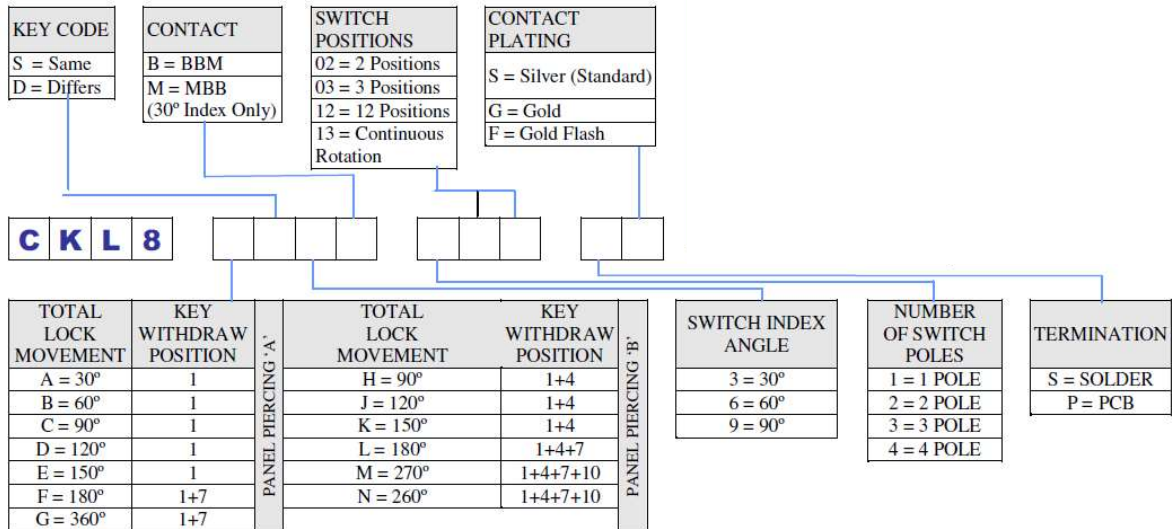
ROUND
HOLE

CK MODULE TERMINAL LAYOUTS VIEWED FROM THE KEY 1 POSITION

KEY WITHDRAWAL POSITIONS



ORDERING CODE



BELTRONICA

NUEVA DIRECCIÓN / NEW ADDRESS

Avenida de Somosierra, 22 - Naves E 6 y 7 - P. E. Inbisa I

San Sebastián de los Reyes - ES 28703 - Madrid

Tel / Phone: +34 916 381 331 - comercial@beltronica.es