

LOCK SWITCH

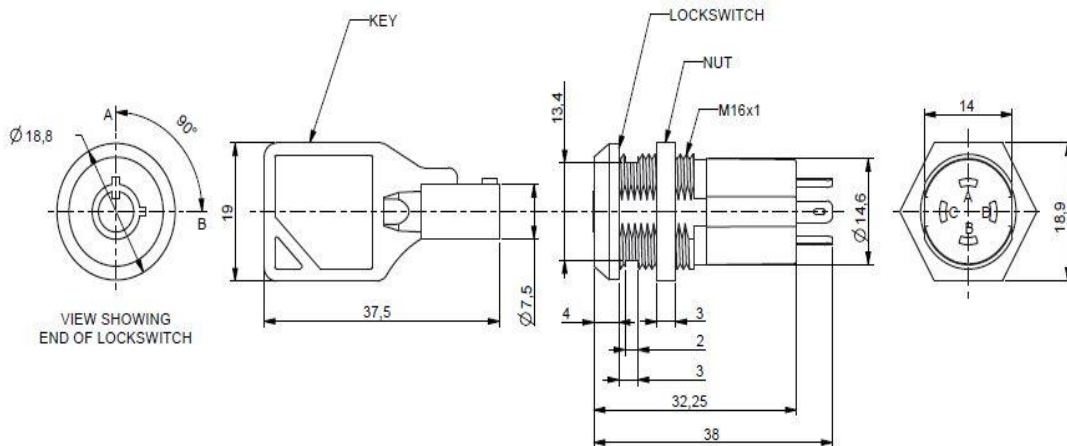
LS16 RADIAL PIN LOCK SWITCH

ELECTRICAL & MECHANICAL SPECIFICATION

Switch Rating:	3A @125V ac – 2A @250V ac	Life:	>10,000 Cycles
Proof Voltage:	500V dc (Initial)	Operating Temperature:	-20°C to +65°C
Insulation Resistance:	>999MΩ @ 500V dc (Initial)		

FEATURES

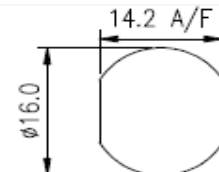
Single pole dual throw	Radial cylinder with 7 pin tumblers	Same key or 100 differ key options
Tapered lock head	Bright chrome plated zinc alloy die cast housing	Key inserted / removed in both positions
Front panel mount		UL Approved



ORDERING CODE

Order Code	Key Out	Key
LS16-A-S-2	0° & 90°	Same
LS16-A-D-2	0° & 90°	Differ

PANEL PIERCING DETAILS



BELTRONICA NUEVA DIRECCIÓN / NEW ADDRESS

Avenida de Somosierra, 22 - Naves E 6 y 7 - P. E. Inbisa I

San Sebastián de los Reyes - ES 28703 - Madrid

Tel / Phone: +34 916 381 331 - comercial@beltronica.es