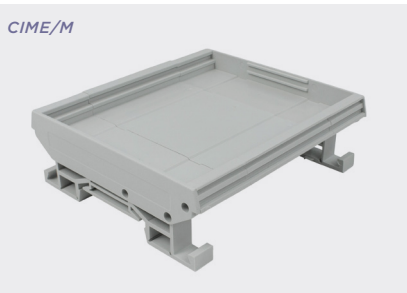


002
PCB TERMINAL
BLOCKS081
TERMINAL STRIPS095
WIRE TO BOARD
CONNECTORS100
CIRCULAR
CONNECTORS151
IP68 CONNECTORS158
INTERFACE
MODULES AND
RELAY BASES

Mini series 72mm empty modular interface supports

Product overview

- Suitable for 72mm width PCB's
- Modular construction for easy Assembly
- Snap fit DIN Rail mounting fixtures
- Moulded in grey UL94-V0 flame retardant PA6
- Wall mounting kit option
- Terminal blocks available in same colour
- Integral marker facility
- Registered design No: 2106418*
- Also available in different colours
- End section foot for top hat DIN Rail

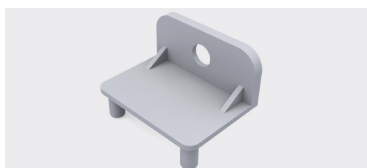


PART NO.	DESCRIPTION	WIDTH
CIME/M/BE1125SS	Base element	11.25mm
CIME/M/BE2250SS	Base element	22.5mm
CIME/M/BE4500SS	Base element	45.0mm
CIME/M/SE1125SS	End section	11.25mm
CIME/M/SE2250SS	End section	22.5mm
CIME/M/SEF1125S	End section with foot	11.25mm
CIME/M/SEF2250S	End section with foot	22.5mm
CIME/M/FE0000SS	Foot element	

Wall mount plates

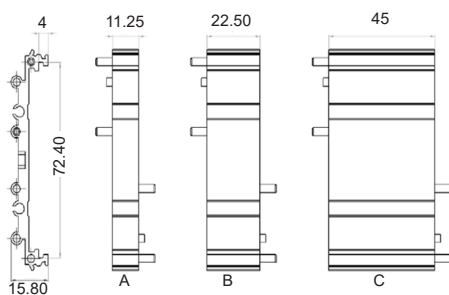
- Flush and raised surface mounting plates
- Press into sides of end section without tool
- Use foot element on long lengths with raised plates

PART NO.	DESCRIPTION
CIME/M/MPF	Flush
CIME/M/MPR	Raised

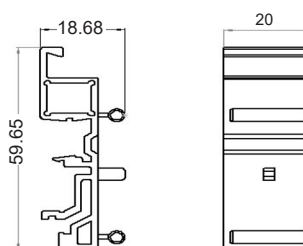


CIME/M/ TOTAL PCB LENGTH	END SECTION SEF1125SS 10MM	SEF2250SS 21.25MM	BASE ELEMENTS BE1125SS 11.25MM	BE2250SS 22.5MM	BE4500SS 45MM	PART COUNT
20mm	2					2
31.25mm	1	1				2
42.5mm		2				2
53.75mm		2	1			3
65mm		2		1		3
76.25mm	1	1			1	3
87.5mm		2			1	3
98.75mm		2	1		1	4
110mm		2		1	1	4
121.25mm	1	1			2	4
132.5mm		2			2	4
143.75mm		2	1		2	5
155mm		2		1	2	5
166.25mm	1	1			3	5
177.5mm		2			3	5

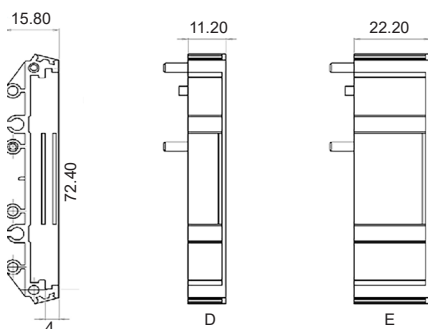
Base element



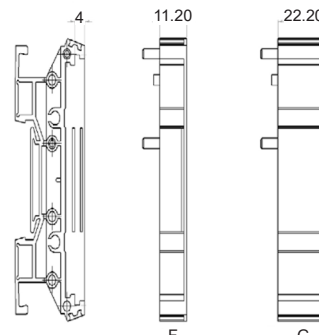
Foot element



End section



End section with foot



BELTRONICA

CONNECT

161

+44 (0)1638 716101 | sales@camdenboss.com | www.camdenboss.com

We operate a constant improvement policy, our products are subject to change without notice.

Vers 1



FM 28614