

ERGO ELITE SERIES TORQUE REACTION ARMS

ERGO Articulating Torque Reaction Arm

The ERGO Articulating Arm combines lightweight aluminum with a robust mechanical design to bring next level comfort and functionality to the workstation. With the ability to pivot freely, the articulating arm allows you to make full use of the work area and can be positioned at a variety of angles to suit different applications. High quality bearings and dual balancers deliver effortless maneuverability in any direction which helps to boost productivity while also helping to reduce repetitive motion injuries.

Benefits:

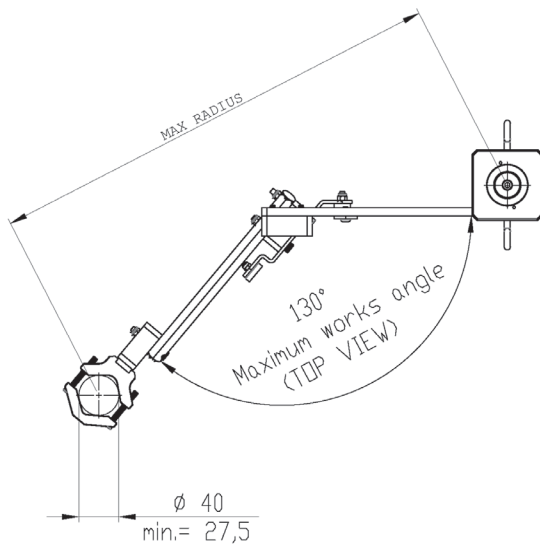
- Tool arm can be easily fixed at 0°, 22.5° or 45° based on application requirements
- Helps to reduce user strain, boosting productivity
- Reduces the amount of variables creating better torque accuracy and quality of work
- Provides a smooth range of motion as the arm absorbs torque reactions from multiple tool types ie. electric & air screwdrivers, tapping tools, angle nut runners, pistol grip tools, grinders and drills.
- Can be paired with POSITX-3D torque arm positioning controller



ERGO-A-EKIT

Fully modular encoder kits allows you to add 2 axis or 3 axis digital positioning capabilities to any ERGO-A arm, anytime!

Contact us directly for more details

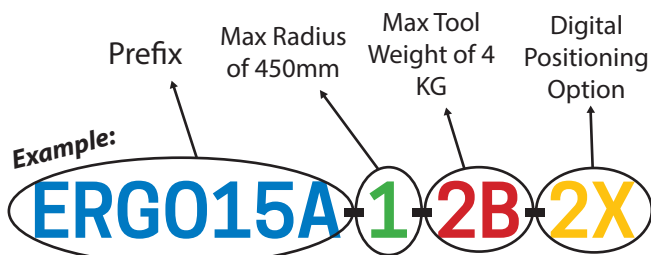


Max Tool Diameter:
ERGO15A = 45mm(1.8")
ERGO50A = 60 mm(2.4")

DRILCO

Avenida de Somosierra, 22E - 6 y 7
E-28703 S.S. de los Reyes (Madrid)
Tel. +34 916 591 900 · www.drilco.net

Part numbers are derived from adding appropriate descriptors (Max Radius/Tool Weight) to the part number prefix.



** Special orders available for higher torque applications. Please contact us for more information & pricing. **

Part Number Matrix				
Prefix	+	Max Arm Radius	+	Max Tool Weight
ERGO15A Max Torque 15NM (132.8 in-lbs)		1 = 450 mm (17.7")		1B = 0 - 2.5 kg (0 - 5.5 lbs)
		2 = 600 mm (23.6")		2B = 2.5 - 4 kg (5.5 - 8.8 lbs)
ERGO50A Max Torque 50NM (442.5 in-lbs)		1 = 600 mm (23.6")		1B = 0 - 2.5 kg (0 - 5.5 lbs)
		2 = 800 mm (31.5")		2B = 2.5 - 4 kg (5.5 - 8.8 lbs)
Digital Positioning Arms for POSITX-3D				
2 Axis System (X,Y)		Add suffix -2X to end of part number (ie. ERGO15A-**-2X)		
3 Axis System (X,Y,Z)		Add suffix -3X to end of part number (ie. ERGO15A-**-3X)		